

POWER FARMING CO., Inc.
DISTRIBUTORS
CHARLOTTE, N. C.

FORD TRACTOR

with

Ferguson System

TRACTOR PARTS PRICE LIST

MAY 15, 1941

Distributed Nationally by

FERGUSON-SHERMAN MANUFACTURING CORPORATION

DEARBORN, MICHIGAN

POWER FARMING CO., Inc.
DISTRIBUTORS
CHARLOTTE, N. C.

FORD TRACTOR

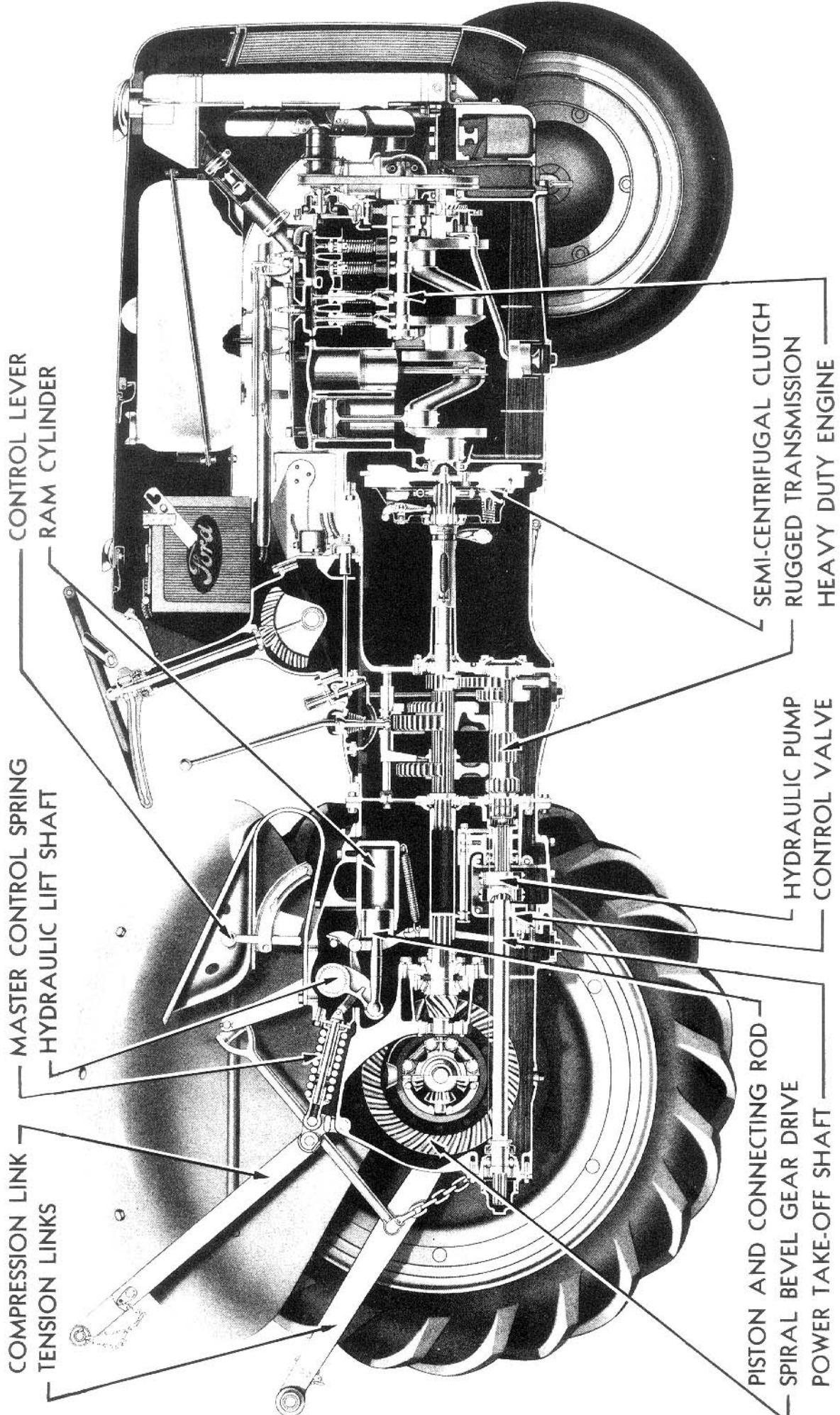
with

Ferguson System

TRACTOR PARTS PRICE LIST

EFFECTIVE MAY 15, 1941

Copyright 1941
Ferguson-Sherman Mfg. Corp.
Dearborn, Michigan
All rights reserved



CONTROL LEVER
RAM CYLINDER

MASTER CONTROL SPRING
HYDRAULIC LIFT SHAFT

COMPRESSION LINK
TENSION LINKS

SEMI-CENTRIFUGAL CLUTCH
RUGGED TRANSMISSION
HEAVY DUTY ENGINE

HYDRAULIC PUMP
CONTROL VALVE

PISTON AND CONNECTING ROD
SPIRAL BEVEL GEAR DRIVE
POWER TAKE-OFF SHAFT

INDEX

	Page
ACCESSORIES	40
AIR CLEANER	31-32
AMMETER	35
AXLE - FRONT	14-16
AXLE - REAR	17-20
BATTERY	35
BRAKES	13
CARBURETOR	30-31
DISTRIBUTOR AND COIL	36-37
DRAWBAR	20
ENGINE	21-23
FENDER	38
FUEL SYSTEM	30
GENERATOR	32-35
GOVERNOR	39
HEAD LAMP	40
HOOD ASSEMBLY	38
HYDRAULIC LIFT	5-9
HYDRAULIC PUMP	9
MANIFOLD	30
MUFFLER ASSEMBLY	20
OIL FILTER	39-40
POWER TAKE-OFF PULLEY (ATTACHMENT)	9-11
RADIATOR AND GRILLE	27
SEAT - DRIVERS	5
STANDARD PARTS	41-44
STARTER AND DRIVE	35-36
STEERING GEAR	16-17
SYMBOLS	45-46
THROTTLE CONTROLS	32
TOOL BOX AND TOOLS	39
TRANSMISSION	23-27
WATER PUMP	27-30
WHEELS AND WHEEL HUBS	11-12
WIRING	37

INSTRUCTIONS FOR ORDERING PARTS

1. Always give tractor number when requested in foot notes. The number is located on left side of motor block.
2. Always order by part number and name.
3. Part orders should be separate and not included with letters pertaining to other subjects.
4. Specify how shipments are to be made—Freight, Parcel Post, or Express.
5. Order parts through your local distributor.

Prices subject to change without notice
Copyright 1941

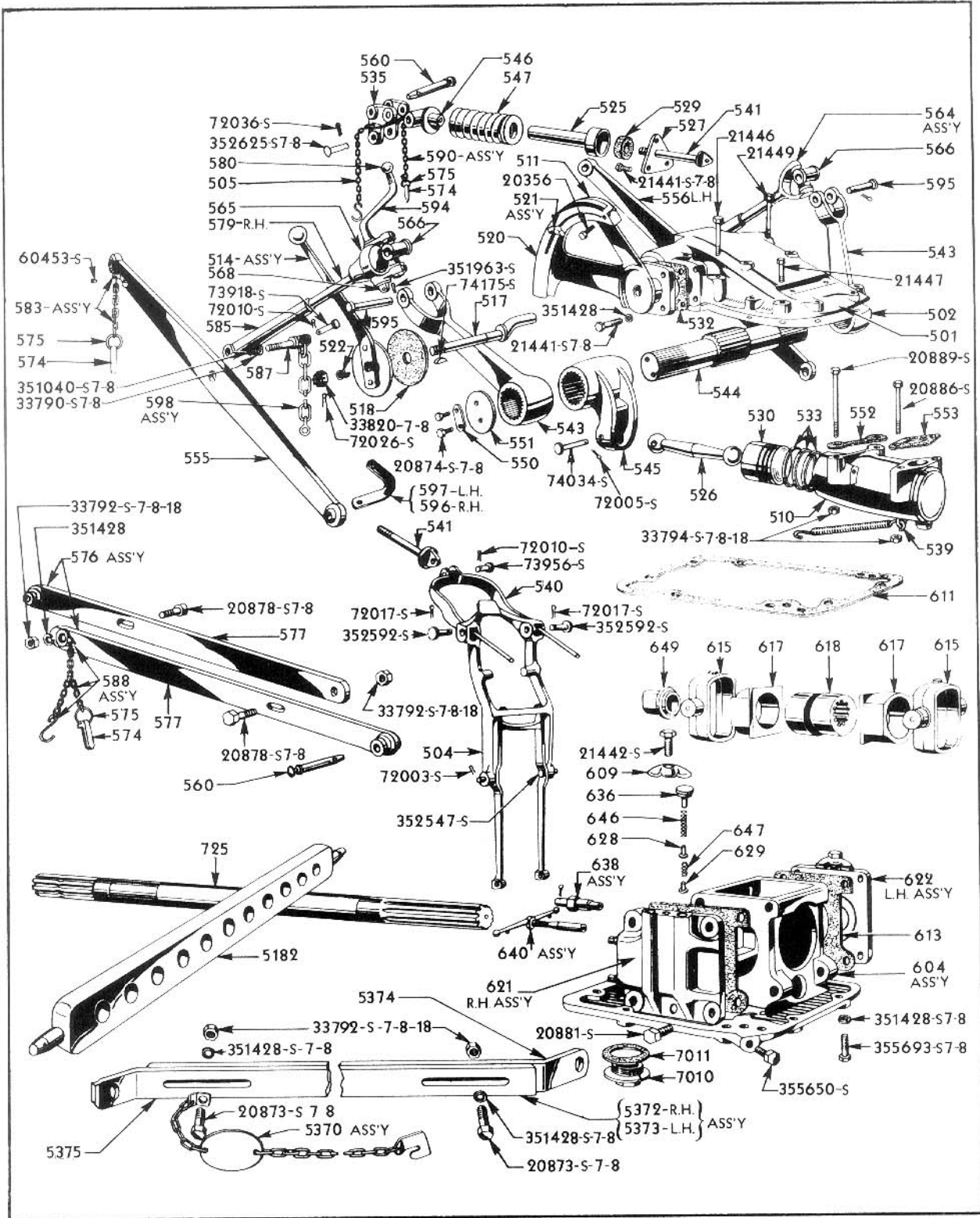
FORD TRACTOR PARTS PRICE LIST



Part No.	Price	Part Name	Unit	Remarks	Type	Year
SEAT DRIVERS						
(See Illustration on Page 18)						
9N-400-A	\$ 2.45	Seat Assy. - Drivers (Steel)	1	9N	39-41
350617-S7-8		Bolt (Carriage)-Seat to Seat Spring	1	9N	39-41
33792-S7-8		Nut (Hex)-Seat Spring Bolt	1	9N	39-41
351436-S7-8		Washer (Lock)-Seat to Seat Spring Bolt ..	1	9N	39-41
9N-404	2.40	Spring-Drivers Seat	1	9N	39-41
21441-S7-8		Bolt (Hex Head)-Spring Drivers Seat	2	9N	39-41
HYDRAULIC LIFT						
9N-500	59.25	Hydraulic Lift Assembly	1	9N	39-41
9N-501	13.00	Cover - Hydraulic Lift	1	9N	39-41
21447-S7-8		Bolt (Hex Head)-Hydraulic Lift Cover to Center Housing	7	9N	39-41
21446-S7-8		Bolt (Hex Head)-Hydraulic Lift Cover to Center Housing	3	9N	39-41
21449-S7-8		Bolt (Hex Head)-Hydraulic Lift Cover to Center Housing	4	9N	39-41
9N-502	.15	Gasket - Hydraulic Lift Cover	1	9N	39-41
9N-503		Lynch Pin and Chain Assy. - Upper Link - Front	1	Obsolete Use 9N-590	9N	39-41
9N-504	1.60	Fork Assy. (Hand Control)-Hydraulic Lift. Pin (Cotter)-Hydraulic Lift Hand Control Fork	1 2	9N	39-41
352592-S		Pin (Clevis)-Hydraulic Lift Hand Control Fork	2	9N	39-41
352547-S		Pin (Clevis)-Hydraulic Lift Hand Control Fork Assy. Center	2	9N	39-41
72003-S		Pin (Cotter)-Hydraulic Lift Hand Control Fork Assy. Center	2	9N	39-41
9N-505	.18	Upper Link Pin Chain Assy. - Front, left.	1	9N	39-41
9N-510-A	3.20	Cylinder - Hydraulic Lift	1	Before Tr. #47020 ..	9N	39-40
9N-510-B	3.20	Cylinder - Hydraulic Lift	1	After Tr. #47019 ..	9N	39-41
20886-S7-8		Bolt (Hex Head)-Hydraulic Lift Cylinder to Cover	2	9N	39-41
20889-S7-8		Bolt (Hex Head)-Hydraulic Lift Cylinder to Cover	2	9N	39-41
33794-S7-8-18		Nut (Hex)-Cylinder to Hydraulic Lift Cover	4	9N	39-41
9N-511-A		Quadrant Assy. - Hydraulic Lift Control		Obsolete		
9N-511-B		Quadrant Assy. - Hydraulic Lift Control		Obsolete Serv. 515-A	9N	39-41
21441-S7-8		Bolt (Hex Head)-Hydraulic Lift Control Quadrant to Cover	4	9N	39-41
351428-S7-8		Washer (Lock)-Hydraulic Lift Control Quadrant to Cover Bolt	4	9N	39-41
9N-512	.75	Lever Assy. - Hydraulic Lift	1	9N	39-41
9N-514	1.55	Control Lever and Friction Plate Assy. Hydraulic Lift	1	9N	39-41
9N-515-A2	3.75	Quadrant - Hydraulic Lift Control	1	9N	39-41
9N-517	1.50	Shaft - Hydraulic Lift Control Lever	1	9N	39-41
33820-S7-8		Nut (Castle Hex)-Control Lever Arm to Friction Plate	1	9N	39-41
72026-S		Pin (Cotter)-Control Lever Arm to Friction Plate	1	9N	39-41
74175-S		Key (Woodruff #6)-Hydraulic Lift Control Lever	1	9N	39-41
9N-518	.05	Disc (Friction)-Hydraulic Lift Control ..	1	9N	39-41
9N-520-B	.35	Retainer - Hydraulic Lift Control Lever	1	9N	39-41
9N-521	.45	Stop Assy.- Hydraulic Lift Control Lever.	1	9N	39-41

* Not subject to regular discount.

FORD TRACTOR PARTS PRICE LIST



* Not subject to regular discount.

FORD TRACTOR PARTS PRICE LIST



Part No.	Price	Part Name	Unit	Remarks	Type	Year
HYDRAULIC LIFT (CONT'D)						
20356 S7-8	\$	Bolt (Hex Head) Quadrant to Retainer, hydraulic lift control lever, (Type A Quadrant)	2		9N	39-41
20306-S7-8		Bolt (Hex Head) Quadrant to Retainer, hydraulic lift control lever, (Type B Quadrant)	2		9N	39-41
34745-S		Washer (Stop)-- Hydraulic Lift Control Lever	1		9N	39-41
350923-S7-8		Nut (Special Wing) - Hydraulic Lift Control Lever Stop	1		9N	39-41
9N-522	.06	Washer - Hydraulic Lift Control Spring ..	1		9N	39-41
9N-523-A	.02	Gasket - Lower Link Support (Oval End) ..	2		9N	39-41
9N-523-B	.02	Gasket - Lower Link Support (Square End)..	2		9N	39-41
9N-525-A	.30	Spring Seat - Hydraulic Lift (Obsolete Service B)	1		9N	39-40
9N-525-B	.30	Spring Seat - Hydraulic Lift	1		9N	39-41
9N-526	1.15	Connecting Rod - Hydraulic Lift	1		9N	39-41
74034-S		Pin (Clevis) - Piston Rod	1		9N	39-41
72005-S		Pin (Cotter) - Piston Rod to Arm Pin	1		9N	39-41
9N-527	.08	Plate - Hydraulic Lift Cover	1		9N	39-41
21441-S7-8		Bolt (Hex-Head) - Hydraulic Lift Cover Plate	3		9N	39-41
9N-529	.01	Felt - Hydraulic Lift Spring Seat	1		9N	39-41
9N-530	1.55	Piston - Hydraulic Lift	1		9N	39-41
9N-531	3.95	Bushing - Hydraulic Lift	2		9N	39-41
9N-532	.02	Gasket - Hydraulic Lift Control	1		9N	39-41
9N-533	.12	Ring - Hydraulic Lift Piston	3		9N	39-41
9N-535	2.15	Rocker - Hydraulic Lift	1		9N	39-41
352625-S7-8		Pin (Clevis) - Hydraulic Lift	2		9N	39-41
72036-S		Pin (Cotter)	2		9N	39-41
9N-539	.06	Spring (Retracting)-Hydraulic Lift Fork .	1		9N	39-41
9N-540	1.45	Fork - Hydraulic Lift Spring Control	1		9N	39-41
73956-S		Pin (Clevis) - Plunger to Hydraulic Lift Spring Control Fork	1		9N	39-41
72010-S		Pin (Cotter) - Plunger to Hydraulic Lift Spring Control Fork Clevis Pin	1		9N	39-41
9N-541	.50	Plunger - Hydraulic Lift Spring Control .	1		9N	39-41
9N-543	3.85	Arm - Hydraulic Lift	2		9N	39-41
9N-544	5.90	Shaft - Hydraulic Lift	1		9N	39-41
20874-S7-8		Bolt (Hex Head) Hydraulic Lift Shaft	4		9N	39-41
9N-545	2.90	Arm - Hydraulic Lift Ram	1		9N	39-41
9N-546	1.40	Yoke - Hydraulic Lift	1		9N	39-41
9N-547-A	2.65	Spring - Hydraulic Lift	1	Before Tractor #47020	9N	39-41
9N-547-B	2.65	Spring - (Heavy) Hydraulic Lift	1	After #47019	9N	39-41
9N-550	.02	Washer (Lock) - Hydraulic Lift	2		9N	39-41
9N-551	.06	Washer - Hydraulic Lift	2		9N	39-41
9N-552	.01	Gasket - Hydraulic Lift	1		9N	39-41
9N-553	.01	Gasket - Hydraulic Lift	1		9N	39-41
9N-554	.30	Bearing Assy. - Hydraulic Lift Leveling Gear	1		9N	39-41
9N-555	9.20	Link - Lower Lift R.H.	1		9N	39-41
9N-556	9.20	Link - Lower Lift L.H.	1		9N	39-41
9N-560	.45	Pin - Hydraulic Lift	2		9N	39-41
9N-562-A	1.00	Plate - Lower Link Support (Oval End) ...	2		9N	39-41
9N-562-B	1.00	Plate - Lower Link Support (Square End) .	2		9N	39-41
22267-S2		Bolt (Hex Head) - Lower Link Support to Axle Housing	2		9N	39-41

* Not subject to regular discount.

FORD TRACTOR PARTS PRICE LIST

Part No.	Price	Part Name	Unit	Remarks	Type	Year
HYDRAULIC LIFT (CONT'D)						
72017-S		Pin (Cotter) - Lower Link Support to Rear Axle Housing	2	9N	39-41
9N-563	\$.50	Shaft - Lower Link	2	9N	39-41
33860-S7-8		Nut (Castle) - Lower Link Shaft	4	9N	39-41
72026-S		Pin (Cotter) - Lower Link Shaft	4	9N	39-41
351505-S7-8-18		Washer - (Flat) - Lower Link Shaft	4	9N	39-41
9N-564	2.75	Leveling Rod - Hydraulic Lift L. H.	1	9N	39-41
9N-565	3.00	Leveling Box - Hydraulic Lift	1	9N	39-41
74127-S		Plug (Expansion) - Hydraulic Lift Leveling Box Assy.	1	9N	39-41
353043-A1- S7-8		Fitting (Lubrication) - Hydraulic Lift Leveling Box Assy.	1	9N	39-41
9N-566	2.40	Knuckle - Hydraulic Lift	2	9N	39-41
9N-567	.30	Oil Tube - Differential Housing	1	9N	39-41
9N-568	1.30	Gear - Leveling Lever	1	9N	39-41
9N-569	16.00	Leveling Box Assy. - Hydraulic Lift	1	9N	39-41
9N-571		Clip and Chain Assy. - Lynch Pin Lower Link (Obsolete use 9N-583)	2	9N	39-41
9N-574	.30	Lynch Pin	4	9N	39-41
9N-575	.05	Ring - Chain	2	9N	39-41
9N-576	5.20	Link Assy. - Upper	1	9N	39-41
20878-S7-8		Bolt (Hex Head) - Upper Link Assy.	2	9N	39-41
351428-S7-8		Washer (Plain) - Upper Link Assy.	2	9N	39-41
33792-S7- 8-18		Nut (Hex) - Hydraulic Lift Upper Link Bolt	2	9N	39-41
9N-577	2.25	Link (Half Upper)	2	9N	39-41
9N-578		Anchor Chain Assy. (Obsolete Service 9N-588)	1	9N	39-41
9N-579	4.95	Shaft - Leveling Gear - R.H.	1	9N	39-41
9N-580	.30	Ball - Lever	3	9N	39-41
9N-582	.35	Clevis - Lower Link, Anchor Chain	4	9N	39-41
9N-583-A	.17	Clip and Chain Assy. (Lower Link)	2	9N	39-41
9N-583-B	.12	Clip and Chain Assy. (Lower Link) (3 in line Holes)	2	9N	39-41
9N-585	1.80	Fork - Lift Rod R. H.	1	9N	39-41
353043-A2- S7-8		Fitting (Lubrication) - Hydraulic Lift Leveling Box Assy.	1	9N	39-41
9N-587-A		Bolt (Eye) Check Chain (Obsolete Use 9N-587-B)	2	9N	39-41
9N-587-B	.40	Bolt (Eye) Check Chain	2	9N	39-41
33860-S		Nut (Castle) - Check Chain Bolt (With 9N-587-A)	2	9N	39-41
33790-S7-8		Nut (Check) - For Check Chain Eye Bolt ..	2	9N	39-41
351040-S7-8		Nut (Eye Bolt) - Check Chain	2	9N	39-41
60453-S		Rivet-Lynch Pin Clip to lower link	4	9N	39-41
72035-S		Pin (Cotter) - Check Chain Eye Bolt	2	9N	39-41
9N-588	.60	Chain and Anchor Assy. Upper Link, Rear .	1	9N	39-41
9N-590	.40	Chain and Anchor Assy. Upper Link, Front, R.	1	9N	39-41
9N-594	1.45	Lever (Leveling) - Hydraulic Lift	1	9N	39-41
351963-S		Rivet (Special Oval C'Sunk Head) - Leveling Lever to Leveling Lever Gear	1	9N	39-41
9N-595	.10	Pin (Leveling) - Hydraulic Lift Fork	4	9N	39-41
72035-S		Pin (Cotter) - Leveling Pin	4	9N	39-41
9N-596	.18	Anchor - Lower Link Check Chain R.H.	1	9N	39-41
9N-597	.18	Anchor-- Lower Link Check Chain L.H.	1	9N	39-41
21442-S7-8		Bolt (Hex Head) - Lower Link Check Chain Support to Power Take off	4	9N	39-41
9N-598	1.25	Chain Assy. (Lower Link Anchor)	2	9N	39-41

* Not subject to regular discount.

FORD TRACTOR PARTS PRICE LIST



Part No.	Price	Part Name	Unit	Remarks	Type	Year
HYDRAULIC LIFT (CONT'D)						
73918-S 7	\$	Pin (Clevis) - Lower Link Anchor Chain ..	4	9N	39-41
72010-S		Pin (Cotter) - Lower Link Anchor Chain ..	4	9N	39-41
9N-599	11.35	Quadrant and Lever Assy. - Hydraulic Lift.	1	9N	39-41

HYDRAULIC PUMP

9N-600	44.50	Hydraulic Pump	1	9N	39-41
9N-604	13.25	Base Assy.-Hydraulic Pump	1	9N	39-41
355693-S7-8		Bolt (Hex Head) - Hydraulic Pump Base to Center Housing	9	9N	39-41
351428-S7-8		Washer (Special Plain) - Hydraulic Pump Base	9	9N	39-41
355650-S		Bolt (Hex Head) 1/2-20-50 Spl.	1	9N	39-41
9N-609	.20	Clamp - Hydraulic Pump	1	9N	39-41
9N-611	.08	Gasket - Hydraulic Pump (Bottom)	1	9N	39-41
9N-613	.04	Gasket - Hydraulic Pump	2	9N	39-41
21442-S7-8		Bolt (Hex Head)	2	9N	39-41
9N-615	2.20	Piston - Hydraulic Pump	2	9N	39-41
9N-617	.85	Cam Block - Hydraulic Pump	2	9N	39-41
9N-618	2.80	Cam - Hydraulic Pump	1	9N	39-41
9N-621	8.65	Valve Chamber Assy. L. H. Hydraulic Pump.	1	9N	39-41
9N-622	8.65	Valve Chamber Assy. R. H. Hydraulic Pump.	1	9N	39-41
9N-625	2.00	Bushing (Hydraulic Control Valve)	1	9N	39-41
9N-626	.04	Guide - Hydraulic Pump Valve	4	9N	39-41
9N-628	.25	Valve, Outlet	4	9N	39-41
9N-629	.20	Valve, Inlet	4	9N	39-41
20881-S		Bolt (Hex Head) - Hydraulic Pump Valve .. Chamber to Pump Body	8	9N	39-41
21442 S		Bolt (Hex Head)- Hydraulic Pump Valve Chamber Cap	2	9N	39-41
9N-636	.20	Plug - Hydraulic Pump	4	9N	39-41
9N-638	.75	Safety Valve Assy. - Hydraulic Pump	1	9N	39-41
9N-640	1.20	Control Valve Assy. - Hydraulic Pump	1	9N	39-41
9N-646	.02	Spring Outlet Valve	4	9N	39-41
9N-647	.01	Spring Inlet Valve	4	9N	39-41
9N-649	.70	Bushing - Hydraulic Pump	1	9N	39-41

POWER TAKE-OFF ASSEMBLY AND PULLEY ATTACHMENT

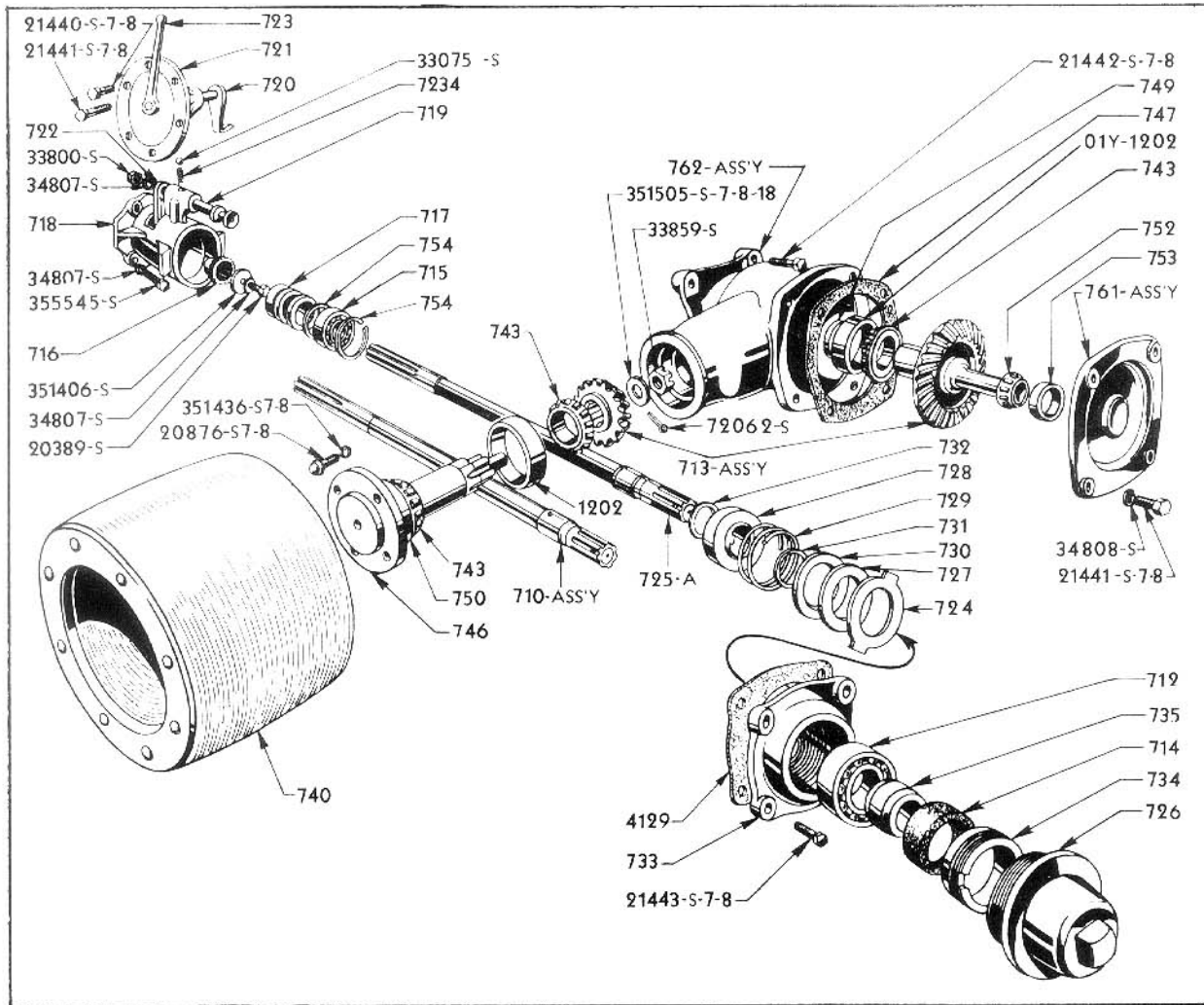
9N-700-B	17.25	Power Take-Off Shaft Assy.	1	9N	39-41
9N-710	9.60	Shaft and Sleeve Assy. - Power Take-Off ..	1	9N	39-41
73984-S		Pin-Power take-off shaft- After Tr. #7452 ..	1	9N	39-41
72003-S		Pin (Cotter) (For Clevis Pin)	1	9N	39-41
9N-712	2.55	Bearing Assy. (Rear) - Power Take-Off ...	1	9N	39-41
9N-713	16.75	Gear Assy. - Power take-off	1	9N	39-41
9N-714	.07	Washer - Power Take-Off	1	9N	39-41
9N-715	2.40	Bearing Assy. - Power Take-Off	1	9N	39-41
9N-716	.90	Hub - Power Take-Off Clutch	1	9N	39-41
351406-S		Washer (Special) - Power Take-Off	1	9N	39-41
20389-S		Bolt (Hex Head) - Power Take-Off Clutch Hub	1	9N	39-41
34807-S		Washer (Lock) - Power Take-Off Clutch Hub Bolt	1	9N	39-41
9N-717	2.75	Sleeve - Power Take-Off Clutch	1	9N	39-41
9N-718	2.95	Support - Power Take-Off Shaft Bearing ..	1	9N	39-41
355545-S		Bolt (Hex Head) - Power Take-Off Shaft Bearing Support	4	9N	39-41
34807-S		Washer (Lock) - Power Take-Off Shaft Bearing Support	4	9N	39-41

* Not subject to regular discount.



FORD TRACTOR PARTS PRICE LIST

Part No.	Price	Part Name	Unit	Remarks	Type	Year
----------	-------	-----------	------	---------	------	------



POWER TAKE-OFF ASSEMBLY AND PULLEY ATTACHMENT (CONT'D)

9N-719	\$ 1.65	Rail - Power Take-Off Shift	1		9N	39-41
79-7234		Spring - Power Take-Off Shifter	1		9N	39-41
353075-S		Ball (Steel) - Power Take-Off Clutch Shaft	1		9N	39-41
33800-S		Nut (Hex) - Power Take-Off Shift Rail ...	1		9N	39-41
34807-S		Washer (Lock) - Power Take-Off Shift Rail	1		9N	39-41
9N-720	.40	Fork - Power Take-Off Shift	1		9N	39-41
9N-721	2.10	Plate - Power Take-Off Shift	1		9N	39-41
21440-S-7-8		Bolt (Hex Head) - Shifter Plate Power Take-Off	4		9N	39-41
21441-S-7-8		Bolt (Hex Head) - Side Cover and Brake Sector	2		9N	39-41
9N-722	.35	Stop - Power Take-Off Shift	1		9N	39-41
33800-S		Nut (Hex) - Power Take-Off Shift Stop ...	1		9N	39-41
34807-S		Washer (Lock) - Power Take-Off Shift Stop	1		9N	39-41
9N-723	.45	Lever - Power Take-Off Shift	1		9N	39-41
60518-S		Rivet - Power Take-Off Shift Lever	1		9N	39-41
9N-724		1.00	Washer - Power Take-Off	1		9N

* Not subject to regular discount.

FORD TRACTOR PARTS PRICE LIST



Part No.	Price	Part Name	Unit	Remarks	Type	Year
POWER TAKE-OFF ASSEMBLY AND PULLEY ATTACHMENT (CONT'D)						
9N-725-A	\$ 8.00	Shaft - Power Take-Off Before Tractor No. 7453	1	9N	39-41
9N-726	.85	Cap - Power Take-Off	1	9N	39-41
9N-727	.40	Seal - Power Take-Off	1	9N	39-41
9N-728-A	.35	Case - Power Take-Off Seal Before Tractor No. 7453	1	9N	39-41
9N-728-B	.35	Case - Power Take-Off After Tractor No. 7452	1	9N	39-41
9N-729	.04	Spring - Power Take-Off	1	9N	39-41
9N-730	.07	Guide - Power Take-Off Spring	1	9N	39-41
9N-731	.07	Ring - Power Take-Off Clamp	1	9N	39-41
9N-732	.02	Ring (Snap) - Power Take-Off	1	9N	39-41
9N-733	1.60	Cover - Power Take-Off	1	9N	39-41
21443-S7-8		Bolt (Hex Head)-Power Take-Off Housing Cover	4	9N	39-41
9N-734	.45	Retainer - Power Take-Off	1	9N	39-41
9N-735	.30	Sleeve - Power Take-Off	1	9N	39-41
9N-740	4.00	Pulley (9") - Power Take-Off (Specify 8" if required)	1	9N	39-41
20876-S7-8		Bolt (Hex Head) - Pulley To Power Take-Off Drive Shaft	4	9N	39-41
351436-S7-8		Washer (Lock) - Power Take-Off Pulley	4	9N	39-41
9N-743	1.20	Cone - Power Take-Off Gear Bearing	3	9N	39-41
01Y-1202		Cup - Power Take-Off Gear Bearing	3	9N	39-41
351505-S7-8-18		Washer (Flat)- Power Take-Off Pulley Driver Gear	1	9N	39-41
33859-S		Nut (Castle) - Power Take-Off Driving Gear	1	9N	39-41
72062-S		Pin (Cotter - Power Take-Off Driving Gear	1	9N	39-41
9N-746	1.15	Shaft - Power Take-Off Pulley	1	9N	39-41
9N-747	.06	Gasket - Power Take-Off Cover	1	9N	39-41
9N-749	.80	Seal - Power Take-Off Gear Bearing Oil ..	1	9N	39-41
9N-750	.85	Seal - Power Take-Off Pulley Bearing Oil.	1	9N	39-41
9N-752	.75	Cone and Roller Assy. - Power Take-Off Gear Pilot Bearing	1	9N	39-41
9N-753	.35	Cup - Power Take-Off Gear Pilot Bearing .	1	9N	39-41
9N-754	.06	Ring (Snap) - Power Take-Off Bearing	2	9N	39-41
9N-760	*29.00	Power Take-Off and Pulley Assy.	1	9N	39-41
9N-761	3.70	Cover and Cup Assy. - Power Take-Off	1	9N	39-41
21441-S7-8		Bolt (Hex Head) - Power Take-Off Housing Cover	4	9N	39-41
9N-762	12.75	Housing and Cups Assy. - Power Take-Off .	1	9N	39-41
353064-S		Plug (Pipe) - Drain	1	9N	39-41

WHEELS AND WHEEL HUBS

9N-1012	.10	Nut - Wheel Bolt (Front)	10	9N	39-41
9N-1015	4.90	Wheel Assy. - Front	2	9N	39-41
9N-1104	7.60	Hub Assy. - Front Wheel	2	9N	39-41
78-1107	.06	Bolt - Wheel Hub (Front Wheels Only) Press Fit	10	9N	39-41
9N-1108-C	10.00	Rim and Band Assy. - Rear 8 x 32	2	9N	39-41
9N-1108-D	**11.80	Rim and Band Assy. - Rear 10 x 28	2	9N	39-41
350719-S7-8		Bolt (Round Head) - Rim to Disc	12	9N	39-41
33806-S7-8-18		Nut (Hex) - Clamp to Disc Wheel	12	9N	39-41
351505-S7-8-18		Washer (Flat) - Rear Disc Wheel to Hub ..	12	9N	39-41

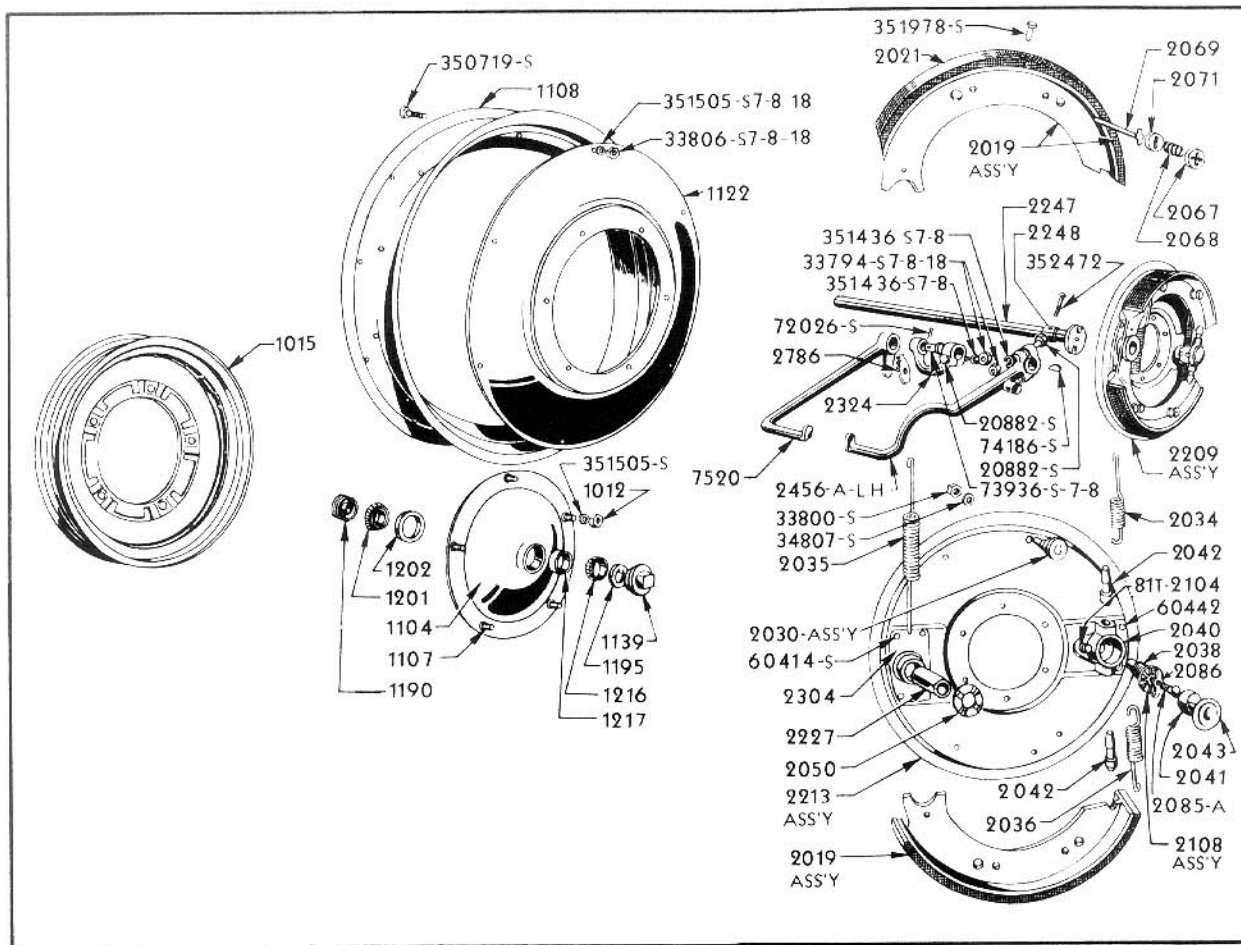
* Not subject to regular discount.

**See Bulletin for special price.



FORD TRACTOR PARTS PRICE LIST

Part No.	Price	Part Name	Unit	Remarks	Type	Year
WHEELS AND WHEEL HUBS (CONT'D)						
9N-1117	\$.12	Bolt - Rear Wheel Disc to Brake Drum	12	9N	39-41
9N 1122 D	8.65	Disc - Wheel Rear 32 x 8.00	2	9N	39 41
9N 1122-E	9.00	Disc - Rear wheel 10 x 28	2	9N	39-41
33806-S7-8-18		Nut (Hex) - Rear Axle to Rear Wheel	12	9N	39 41
351505 S7-8-18		Washer (Flat) - Rear Axle to Rear Wheel Bolt	12	9N	39-41
9N-1126	4.10	Brake Drum	2	9N	39-41
9N-1139	.85	Cap Front Hub	2	9N	39 41
9N 1190	.12	Cap - Front Hub Dust	2	9N	39-41
9N-1195	.04	Washer Front Hub Bearing Retainer	2	9N	39-41
B-1201	1.00	Cone and Roller Assy. - Front Wheel Inner bearing	2	9N	39 41
B-1202	.40	Cup Front Wheel Inner Bearing	2	9N	39-41
B 1216	.65	Cone and Roller Assy. Front Wheel Outer bearing	2	9N	39-41
B 1217	.30	Cup - Front Wheel Outer Bearing	2	9N	39 41



* Not subject to regular discount.

FORD TRACTOR PARTS PRICE LIST



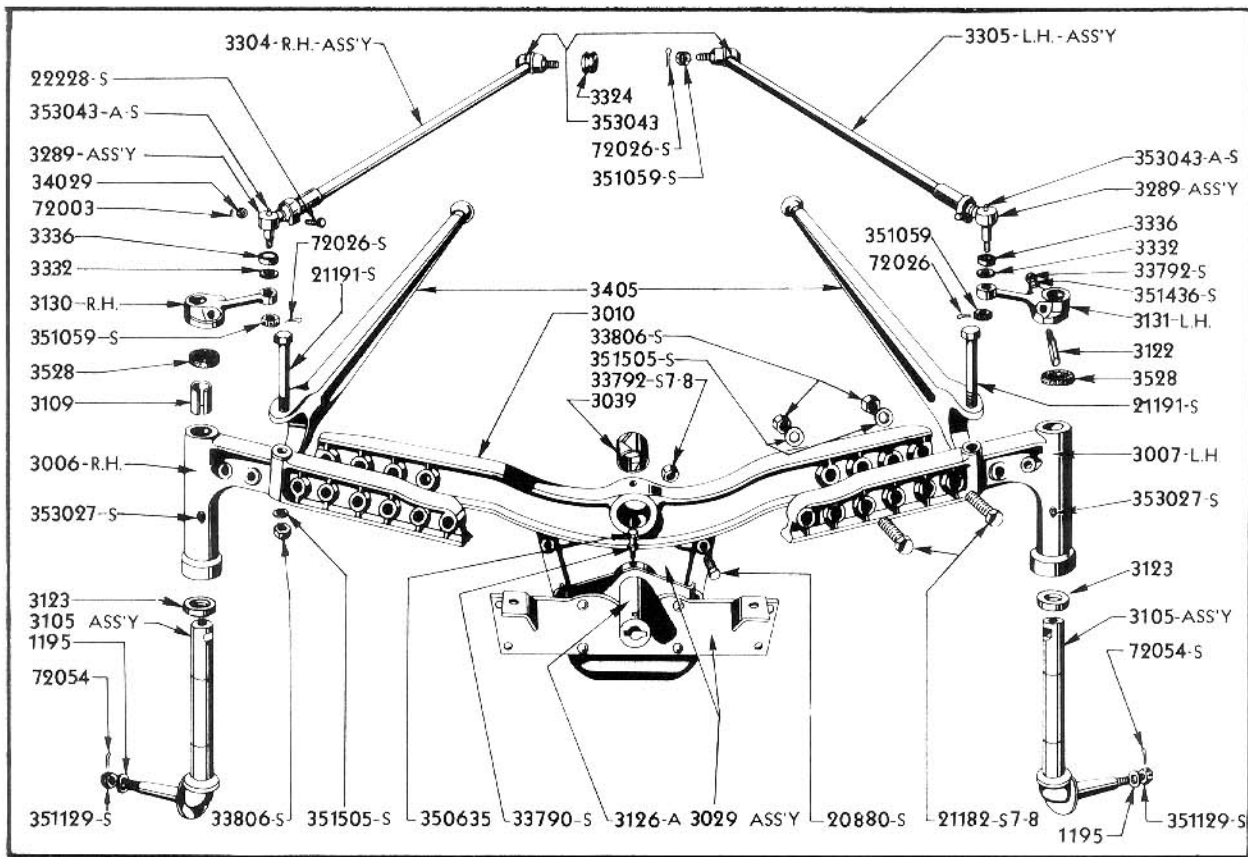
Part No.	Price	Part Name	Unit	Remarks	Type	Year
BRAKES						
9N 2019	\$ 3.70	Brake Shoe and Lining Assy.	4		9N	39-41
92Y 2021-B	1.00	Lining - Brake Shoe	4		9N	39-41
351978-S		Rivet - Brake Lining to Brake Shoe	60		9N	39-41
9N-2030	.25	Equalizer Assy. - Brake	2		9N	39-41
33800-S7-8		Nut (Hex) - Brake Eccentric	2		9N	39-41
34807-S		Washer (Lock) - Brake Equalizer	2		9N	39-41
9N-2034	.06	Spring (Return) - Brake Shoe	2		9N	39-41
9N-2035	.12	Spring (Return) - Brake Shoe - Long	2		9N	39-41
9N-2036	.06	Spring (Return) - Brake Shoe Adjusting Side Lower	2		9N	39-41
79-2038	.20	Stem (Adjusting) - Brake	2		9N	39-41
9N-2040	.85	Bracket (Adjusting) - Brake	2		9N	39-41
60442-S		Rivet (Round Head) - Brake Adjusting Bracket to Brake Plate	6		9N	39-41
9N 2041	.40	Wedge - Adjusting	2		9N	39-41
81T-2042	.25	Link - Brake Shoe	4		9N	39-41
9N-2043	.02	Cap - Brake Adjusting Bracket	2		9N	39-41
9N-2050	.90	Wedge (Operating) - Brake	2		9N	39-41
78 2067 C	.01	Cap - Brake Shoe Hold Down Spring	4		9N	39-41
78-2068-C	.01	Spring (Hold Down) - Brake Shoe	4		9N	39-41
9N-2069	.01	Pin (Hold Down) - Brake Shoe	8		9N	39-41
78-2071	.01	Nut - Brake Shoe Hold Down Spring	4		9N	39-41
78-2085-A	.02	Pin - Brake Adjusting Stem Spring	2		9N	39-41
78-2086	.01	Spring (index) Brake Adjusting Stem	2		9N	39-41
81T-2108	.25	Spring Assy. - Adjusting Stem	2		9N	39-41
9N-2209	14.50	Brake Assy. - R.H.	1		9N	39-41
9N-2210	14.50	Brake Assy. - L.H.	1		9N	39-41
9N-2213	4.70	Brake Carrier Plate and Brackets Assy. Right or Left	1		9N	39-41
9N-2217	.40	Ring - Felt, Brake Dust Seal	2		9N	41
9N-2227	.15	Bushing - Graphite	2		9N	39-41
9N-2247	4.50	Shaft - Brake	2		9N	39-41
9N-2248	.25	Collar - Brake Shaft	2		9N	39-41
352472-S7-8		Pin - Brake Shaft Collar	2		9N	39-41
9N-2252	.40	Ring - Brake Dust Seal	2		9N	41
9N-2279	.05	Clip - Wiring	1		9N	39-41
9N-2304	.85	Bracket - Brake Camshaft	2		9N	39-41
60414-S		Rivet (Round Head) - Brake Camshaft Bracket	8		9N	39-41
9N-2324	2.20	Arm - Brake Pawl	1		9N	39-41
20882-S7-8		Bolt (Hex Head) - Brake Pawl Arm	1		9N	39-41
33794-S7-8-18		Nut (Hex) - Brake Pawl Arm	1		9N	39-41
351436-S7-8		Washer (Lock) - Brake Pawl Arm	1		9N	39-41
9N-2455-A	3.75	Pedal - Brake R.H.	1		9N	39-41
9N-2456-A	3.75	Pedal - Brake L.H.	1		9N	39-41
74186-S		Key (Woodruff) - Brake Pedal and Pawl ...	2		9N	39-41
20882-S7-8		Bolt (Hex Head) - Brake Pedal	4		9N	39-41
33794-S7-8-18		Nut (Hex) - Brake Pedal Bolt	4		9N	39-41
351436-S7-8		Washer (Lock) - Brake Pedal	4		9N	39-41
78-2477	.07	Bushing - Brake Cross Shaft	1		9N	39-41
9N-2786	.40	Pawl - Brake	2		9N	39-41
73936-S7-8		Pin (Clevis) - Brake Pawl L.H.	1		9N	39-41
74079-S7-8		Pin (Clevis) - Brake Pawl R.H.	1		9N	39-41
72026-S		Pin (Cotter) - Brake Pawl	2		9N	39-41
9N-2796	.70	Sector - Brake	2		9N	39-41

* Not subject to regular discount



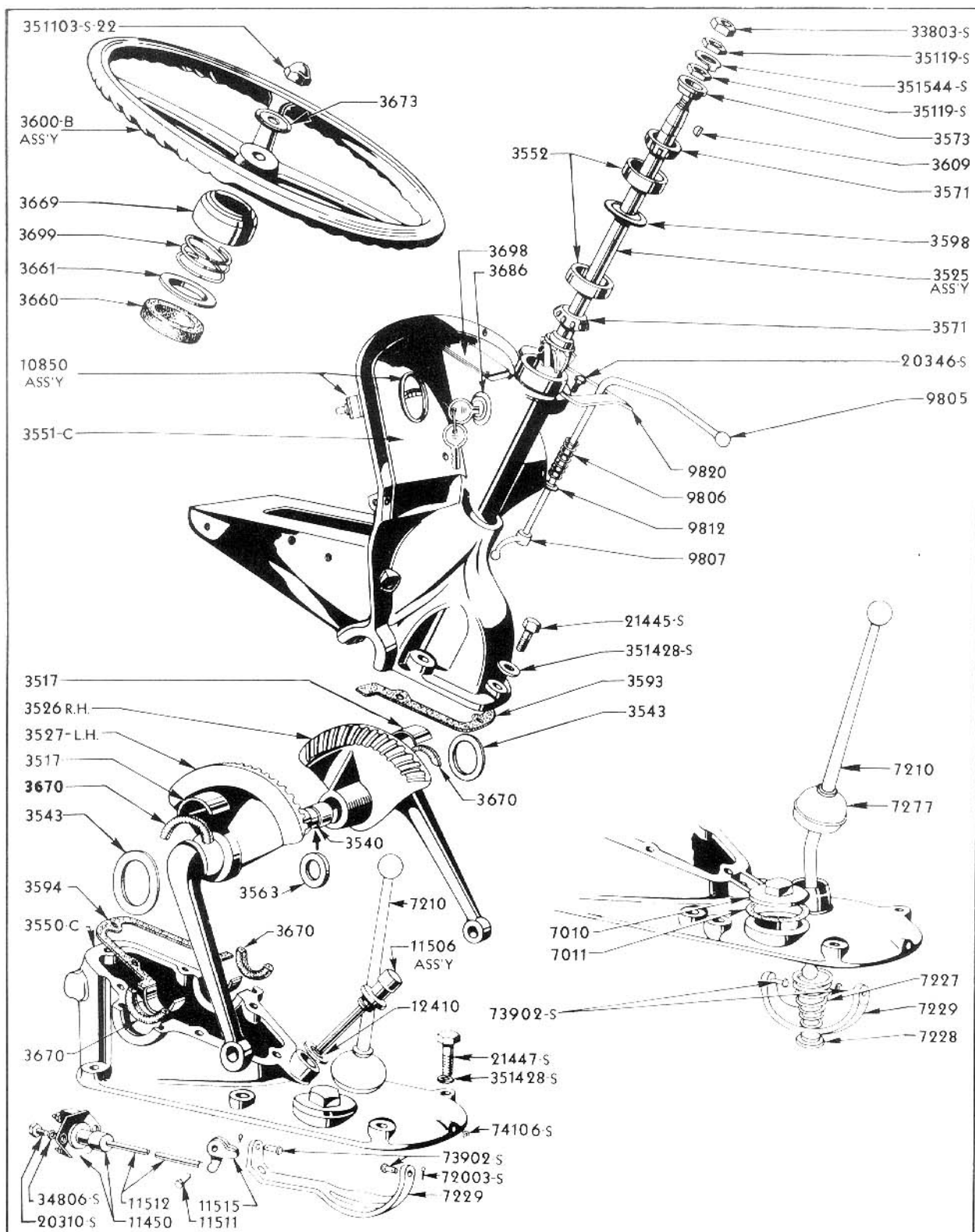
FORD TRACTOR PARTS PRICE LIST

Part No.	Price	Part Name	Unit	Remarks	Type	Year
FRONT AXLE						
9N-3006	\$ 8.00	Axle - Front R.H. Half With Bushings	1		9N	39-41
9N-3007	8.00	Axle - Front L.H. Half With Bushings	1		9N	39-41
353027-A2-S7-8		Fitting - Lubrication	2		9N	39-41
9N-3010	6.60	Center - Front Axle	1		9N	39-41
9N-3029	10.75	Support Assy. - Front Axle	1		9N	39-41
9N-3039	.18	Bushing Assy. - Front Axle	1		9N	39-41
21182-S7-8		Bolt (Hex Head) - Front Axle Center to Half	4		9N	39-41
33806-S7-8-18		Nut (Hex) - Front Axle Center to Front Axle Half Bolt	4		9N	39-41
351505-S-7- 8-18		Washer (Flat) - Front Axle Center to Front Axle Half Bolt	4		9N	39-41
20880-S7-8		Bolt (Hex Head) - Front Axle Support to Oil Pan	6		9N	39-41
33792-S7-8		Nut (Hex) Front Axle Support	6		9N	39-41
9N-3105	12.75	Spindle Assy. - Front Axle	2		9N	39-41
351129-S		Nut (Castle) - Front Axle Spindle Assy. .	2		9N	39-41
72054-S		Pin (Cotter) - Spindle Nut	2		9N	39-41
9N-3109	.25	Bushing - Spindle	4		9N	39-41
9N-3122	.18	Pin - Spindle Bolt Locking	2		9N	39-41
33792-S7-8-18		Nut (Hex) - Front Axle Spindle Pin	2		9N	39-41
351436-S7-8		Washer (Lock) - Front Axle Arm	2		9N	39-41
9N-3123	.40	Bearing - Front Axle Spindle	2		9N	39-41
9N-3126-A	1.40	Pin - Front Axle	1		9N	39-41
350635-S7-8		Bolt (Hex Head) - Front Axle Pin	1		9N	39-41
33790-S7-8		Nut Check (Hex Head) - Axle to Axle Support	1		9N	39-41



* Not subject to regular discount

FORD TRACTOR PARTS PRICE LIST



FORD TRACTOR PARTS PRICE LIST

Part No.	Price	Part Name	Unit	Remarks	Type	Year
FRONT AXLE (CONT'D)						
9N-3130	\$ 3.30	Arm - Spindle R.H.	1	9N	39-41
9N-3131	3.30	Arm - Spindle L.H.	1	9N	39-41
78-3289-B	1.10	Spindle Ball Joint Assy.	2	9N	39-41
351059-S7		Nut (Castle) - Spindle Ball Joint Assy. .	4	9N	39-41
72026-S		Pin (Cotter) - Drag Link	4	9N	39-41
9N-3304	3.85	Link Assy. - Steering Drag R.H.	1	9N	39-41
9N-3305	3.85	Link Assy. - Steering Drag L.H.	1	9N	39-41
353043-A2		Fitting (Lubrication) - Steering Drag Link	4	9N	39-41
9N-3324	.30	Cover Assy. - Dust	2	9N	39-41
78-3332	.02	Cover Spindle Connecting Rod Ball Stud Dust	2	9N	39-41
78-3336	.01	Retainer - Steering Drag Link and Tie Rod Grease	2	9N	39-41
22228-S		Bolt - Steering Drag Link Clamp	2	9N	39-41
34029-S		Nut (Hex) - Steering Drag Link Clamp	2	9N	39-41
72003-S		Pin (Cotter) - Steering Drag Link Clamp .	2	9N	39-41
9N-3405	4.45	Rod - Front Radius	2	9N	39-41
21191-S7-8		Bolt (Hex Head) - Front Axle to Radius Rod	2	9N	39-41
33806-S7-8-18		Nut (Hex) - Front Axle to Radius Rod Bolt	2	9N	39-41
351505-S7-8-18		Washer (Flat) - Front Axle to Radius Rod Bolt	2	9N	39-41
9N-3440	.65	Cap - Radius Rod Ball	2	9N	39-41
88523-S		Stud (Screw) - Radius Rod Ball Cap	4	9N	39-41
33792-S7-8		Nut (Hex) - Radius Rod Ball Spacer Cap ..	4	9N	39-41
351436-S7-8		Washer (Lock) - Radius Rod Ball Cap Stud.	4	9N	39-41
9N-3442	1.30	Spacer - Radius Rod Ball	2	9N	39-41
88398-S		Stud (Screw) - Radius Rod Ball Spacer ...	2	9N	39-41
33792-S7-8		Nut (Hex) - Radius Rod Spacer	2	9N	39-41
351436-S7-8		Washer (Lock) - Radius Rod Ball Spacer ..	2	9N	39-41

STEERING GEAR

9N-3501-A	*50.00	Steering Gear Assy. Less Instruments and Throttle Control	1	9N	39-41
9N-3501-B	*53.75	Steering Gear Assy. Less Instruments and Throttle Control	1	9N	39-41
9N-3501-C	*52.50	Steering Gear Assy. Less Instruments and Throttle Control	1	9N	41
9N-3517	.35	Bearing - Steering Sector	4	9N	39-41
9N-3525	8.35	Shaft and Pinion - Steering Gear	1	9N	39-41
33803-S7-8		Nut (Hex Head) - Steering Wheel	1	9N	39-41
351119-S		Nut (Hex) - Steering Shaft	2	9N	39-41
351544-S		Washer (Lock) - Steering Shaft	1	9N	39-41
9N-3526	10.50	Sector - Steering Gear R.H.	1	9N	39-41
9N-3527	10.50	Sector - Steering Gear L.H.	1	9N	39-41
9N-3528	.02	Seal - Steering Arm Dust	1	9N	39-41
9N-3540	.70	Shaft - Steering Sector	1	9N	39-41
9N-3543-A	.30	Washer - Steering Sector Outer Thrust Thin	2	9N	39-41
9N-3543-B	.30	Washer - Steering Sector Outer Thrust Thick	2	9N	39-41
9N-3550-A	*8.65	Housing - Steering Gear Lower	1	9N	39-41
9N-3550-B		Housing - Steering Gear Lower	1	Obsolete Service 9N-3550-C, 9N-7157-B, 9N-7158	9N	39-41

* Not subject to regular discount.

FORD TRACTOR PARTS PRICE LIST



Part No.	Price	Part Name	Unit	Remarks	Type	Year
STEERING GEAR (CONT'D)						
9N-3550 C	\$ *8.60	Housing - Steering Gear Lower		After trac. #47507 ..	9N	40-41
74106-S		Plug (Expansion) - Steering Gear Housing ..	1	9N	39-41
21447-S7-8		Bolt (Hex Head) - Lower Steering Housing to Transmission Housing	6	9N	39-41
351428-S7-8		Washer (Plain) - Lower Steering Housing to Transmission Housing	6	9N	39-41
9N-3551-A	*16.00	Housing - Steering Gear Upper	1	9N	39-41
9N-3551-C	*16.00	Housing - Steering Gear Upper	1	After 47507	9N	40-41
21448-S7-8		Bolt (Hex Head) - Upper to Lower Steering Gear Housing	6	9N	39-41
351428-S7-8		Washer (Plain) - Upper to Lower Steering Gear Housing	6	9N	39-41
B-3552	.25	Cup - Steering Gear Worm Bearing Lower ..	2	9N	39-41
9N-3563-A	.30	Washer - Steering Sector Inner Thrust Thick	1	9N	39-41
9N-3563-B	.30	Washer - Steering Sector Inner Thrust Thin	1	9N	39-41
68-3571-A	.25	Roller Assy. - Steering Gear	2	9N	39-41
9N-3573	.50	Cone - Steering Gear Bearing	2	9N	39-41
9N-3593-B	.01	Gasket - Steering Gear Housing - Rear ..	1	9N	39-41
9N-3594	.01	Gasket - Steering Gear Housing - Front ..	1	9N	39-41
9N-3598	.04	Retainer - Steering Column Oil	1	9N	39-41
9N-3600-A		Wheel Assy. - Steering	1	Obsolete Service Band 351103 -S22, and 9N-3673 ...	9N	39-41
9N-3600-B	4.00	Wheel Assy. - Steering	1	9N	39-41
351103-S-22		Nut - Steering Wheel	1	9N	39-41
B-3609	.02	Key - Woodruff	1	9N	39-41
9N-3627	.80	Cap - Steering Wheel Center	1	9N	39-41
9N-3660	.06	Seal - Steering Column Dust	1	9N	39-41
9N-3661	.18	Retainer - Steering Column Seal	1	9N	39-41
9N-3669	.15	Cap - Steering Column	1	9N	39-41
9N-3670	.06	Packing - Steering Sector	4	9N	39-41
9N-3673	.50	Washer - Steering Wheel	1	9N	39-41
9N-3685	.50 pr	Key - Ignition Lock #1050 to 1300	2	9N	39-41
9N-3686-C	.80	Lock Cylinder Assy. - Ignition	1	9N	39-41
26456-S7-8		Screw (Round Head) - Ignition Lock Cylinder Assy.	2	9N	39-41
351118-S7-8		Nut (Hex) - Ignition Lock Cylinder Assy. ..	1	9N	39-41
9N-3698	.06	Patent Plate - Ford	1	9N	39-41
92032-S19		Screw (Round Head Drive) - Patent Plate To Steering Gear Housing	4	9N	39-41
9N-3699	.40	Spring - Steering Column Dust Seal	1	9N	39-41
9N-3701	.06	Lens - Ignition Indicator Lamp	1	9N	39-41

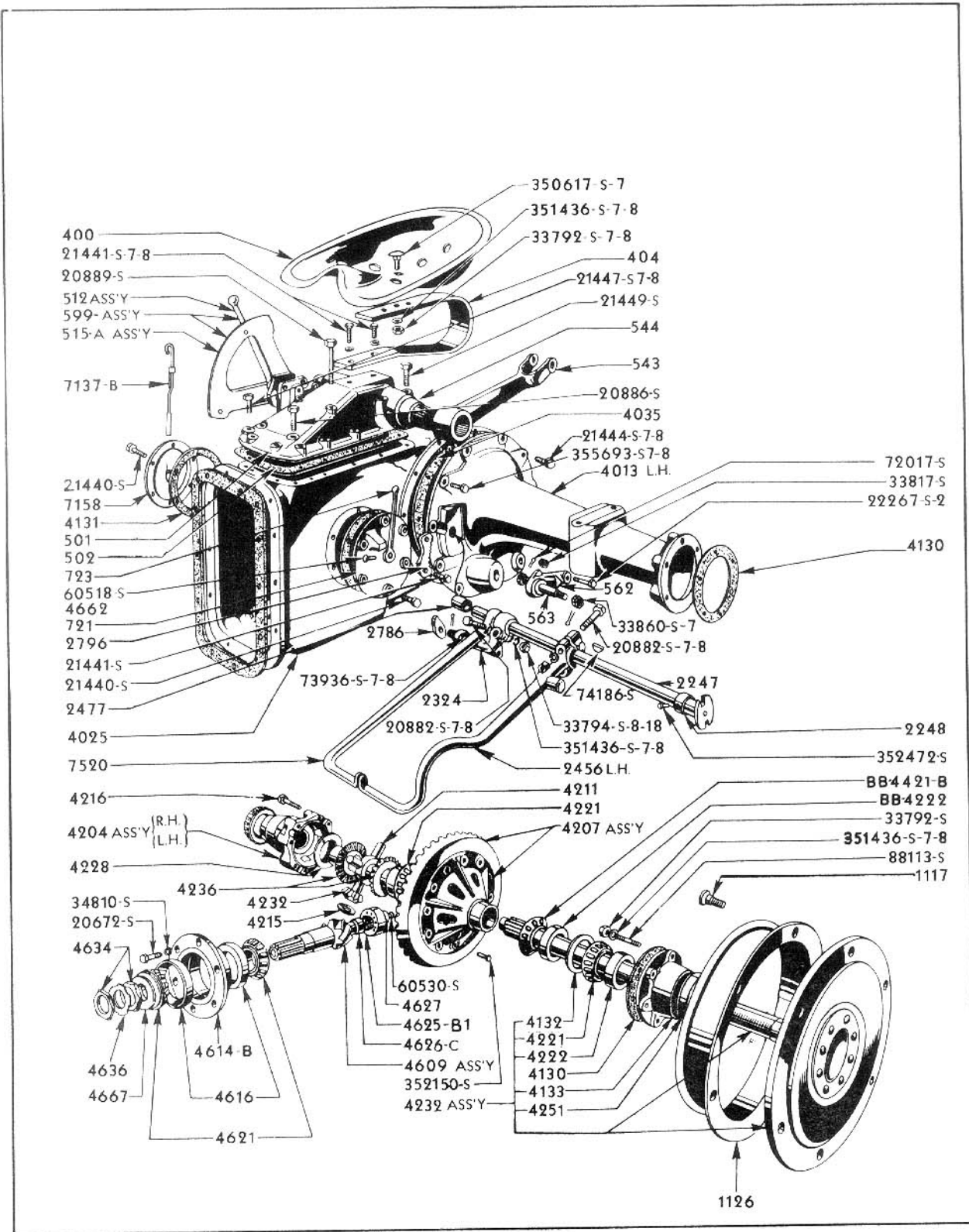
REAR AXLE

9N-4000	*178.00	Rear Axle Assy.	1	9N	39-41
9N-4005	*92.00	Axle Assy. - Rear - Less Hydraulic Mech- anism, Pump, Axle Shafts, and Brakes.	1	9N	39-41
9N-4012-B	*16.00	Housing - Rear Axle R.H.	1	9N	39-41
74121-S		Plug (Expansion) - Rear Axle Housing ...	1	9N	39-41
353064-S		Plug Drain - Rear Axle Housing	1	9N	39-41
9N-4013-B	*16.00	Housing - Rear Axle Shaft L.H.	1	9N	39-41
21444-S7-8		Bolt (Hex Head) - Rear Axle Housing to Center Housing	12	9N	39-41

* Not subject to regular discount



FORD TRACTOR PARTS PRICE LIST



FORD TRACTOR PARTS PRICE LIST



Part No.	Price	Part Name	Unit	Remarks	Type	Year
REAR AXLE (CONT'D)						
355693-S7-8		Bolt 5/16-14 - Special	9		9N	39-41
9N-4025	\$30.00	Housing - Center	1		9N	39-41
353064		Pipe Plug - Drain	1		9N	39-41
9N-4035	.20	Gasket - Rear Axle Differential Housing .	2		9N	39-41
9N-4129	.04	Gasket - Differential Housing (Rear)	1		9N	39-41
9N-4130	.06	Gasket - Axle Housing (Outer)	2		9N	39-41
9N-4131	.06	Gasket - Differential Housing Side	2		9N	39-41
9N-4132	.50	Collar - Axle Shaft Bearing	2		9N	39-41
9N-4133	2.60	Retainer - Axle Shaft Bearing	2		9N	39-41
88113-S		Stud (Screw) - Rear Axle Housing to Bearing Retainer	12		9N	39-41
33791-S18		Nut (Regular) - Rear Axle Shaft Bearing Retainer to Axle Shaft Housing	12		9N	39-41
351436-S7-8		Washer (Lock) - Axle Bearing Retainer to Axle Shaft Housing	12		9N	39-41
9N-4150	.30	Trough Assy. - Differential Bearing Oil .	1		9N	39-41
9N-4195	3.15	Spacer - Driving Gear Thrust Block	1		9N	39-41
20388-S2		Bolt (Hex Head) - Driving Gear Thrust Block Spacer to Rear Axle Center Housing	2		9N	39-41
34807-S		Washer (Lock) - Thrust Block to Axle Housing Bolt	2		9N	39-41
9N-4201	*34.00	Differential Assy. - Rear Axle	1		9N	39-41
9N-4203	*28.00	Gear, Pinion, and Case - Differential ...	1		9N	39-41
9N-4204	13.00	Case Assy. - Differential Gear	1		9N	39-41
9N-4207	32.50	Gear & Case Assy. (Service Only)	1		9N	39-41
79-421C	16.50	Gear Only, Driving	1		9N	39-41
352150-S		Rivet (Round Head) - Driving Gear to Differential Gear Case	12		9N	39-41
9N-4211	2.60	Spider - Differential	1		9N	39-41
91T-4215	.75	Gear - Differential Pinion	4		9N	39-41
BB-4216-C	.20	Screw - Differential Gear Case	8		9N	39-41
9N-4221	2.70	Cone and Roller Assy. - Rear Wheel	2		9N	39-41
BB-4221-B	2.65	Cone and Roller Assy. - Axle Shaft Inner Bearing	2		9N	39-41
9N-4222	1.30	Cup - Rear Wheel Bearing	2		9N	39-41
BB-4222	1.45	Cup - Axle Shaft Inner Bearing	2		9N	39-41
79-4228	.20	Washer - Differential Gear Thrust	2		9N	39-41
9N-4229-A	.05	Shim - Rear Axle Bearing .003 Thick	2		9N	39-41
9N-4229-B	.05	Shim - Rear Axle Bearing .005 Thick	2		9N	39-41
9N-4229-C	.05	Shim - Rear Axle Bearing .010 Thick	2		9N	39-41
79-4230	.04	Washer (Thrust) - Differential Pinion ...	4		9N	39-41
9N-4231	32.25	Axle Shaft and Brake Drum Assy. with Bearing, Retainer and Seal	1		9N	39-41
9N-4232	28.00	Axle Shaft with Bearing, Retainer, Seal and Studs	1		9N	39-41
60592-S		Rivet - Axle Shaft to Hub Rear	16		9N	39-41
91T-4236	2.10	Gear - Differential	2		9N	39-41
9N-4251	.70	Oil Seal - Rear Axle Bearing	2		9N	39-41
9N-4605	4.60	Drive Shaft Assy.	1		9N	39-41
79-4609	7.00	Pinion - Gear Assy.	1		9N	39-41
BB-4614-B	4.50	Sleeve, Pin and Bearing Cups Assy. Driving Pinion Bearing	1		9N	39-41
20672-S		Bolt (Hex Head)-Pinion Bearing Retainer to Housing	6		9N	39-41
34810-S		Washer (Lock)-Pinion Bearing Retainer to Rear Axle Housing	6		9N	39-41
BB-4616-B	1.35	Cup - Driving Pinion Bearing	2		9N	39-41

* Not subject to regular discount.



FORD TRACTOR PARTS PRICE LIST

Part No.	Price	Part Name	Unit	Remarks	Type	Year
REAR AXLE (CONT'D)						
BB-4621-B	\$ 2.65	Cone and Roller Assy. - Driving Pinion Bearing	2	9N	39-41
BB-4625-B1	1.55	Bearing Assy. - Driving Pinion Pilot	1	9N	39-41
BB-4626-D	.45	Race, Inner, Driving Pinion Pilot Bearing	1	9N	39-41
BB-4627	.03	Ring (Lock)-Driving Pinion Pilot Bearing.	1	9N	39-41
60530-S		Rivet (Round Head) Driving Pinion Bearing Retainer	2	9N	39-41
B-4634	.20	Nut (Lock)-Driving Pinion Bearing	2	9N	39-41
B-4636	.04	Washer (Lock)-Driving Pinion Bearing	1	9N	39-41
9N-4662	.18	Gasket - Differential to Transmission Housing	1	9N	39-41
BB-4667	.15	Washer (Thrust)-Driving Pinion Bearing ..	1	9N	39-41
BB-4668-B		Sleeve - Service BB-4614-B		

DRAWBAR (See Illustration on Page 6)

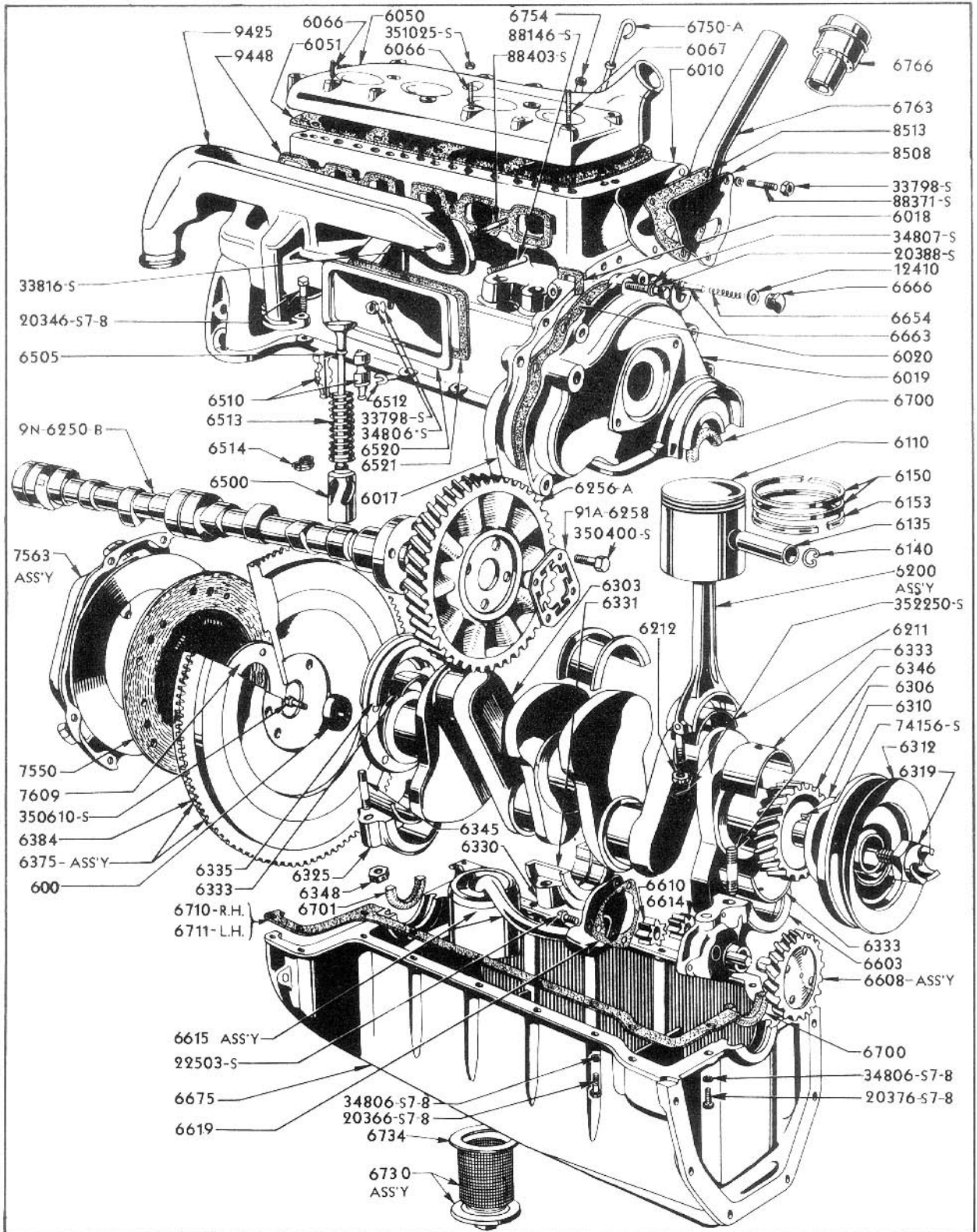
9N-5182	6.80	Drawbar	1	9N	39-41
9N-5370	.85	Chain and Wedge Assy. - Drawbar	1	9N	39-41
9N-5372	1.65	Stay Assy. - Drawbar R.H.	1	9N	39-41
9N-5373	1.45	Stay Assy. - Drawbar L.H.	1	9N	39-41
9N-5374	.65	Stay - Drawbar Upper	1	9N	39-41
9N-5375	.50	Stay - Drawbar Lower	1	9N	39-41
20873-S7-8		Bolt (Hex Head)-Drawbar Stay	4	9N	39-41
33792-S7-8-18		Nut (Hex)-Drawbar Stay Bolt	4	9N	39-41
351428-S7-8		Washer (Special Plain)-Drawbar Stay	4	9N	39-41

MUFFLER ASSEMBLY

9N-5230-A	2.40	Muffler Assy.	1	9N	39-41
9N-5251	.65	Clamp - Muffler Inlet Pipe	2	9N	39-41
21477-S7-8		Bolt (Hex Head)-Exhaust Pipe Clamp	2	9N	39-41
33825-S7-8		Nut (Hex)-Exhaust Pipe Clamp Bolt	2	9N	39-41
9N-5252	.40	Bracket and Clamp Assy. - Muffler	1	9N	39-41
20881-S		Bolt (Hex Head)-Muffler Clamp to Transmission Housing	1	9N	39-41
33792-S7-8		Nut (Hex)-Muffler Clamp to Transmission Housing	1	9N	39-41
351436-S7-8		Washer (Lock)-Muffler Clamp to Transmission Housing	1	9N	39-41
20426-S7-8		Bolt (Hex Head)-Muffler Clamp	1	9N	39-41
33797-S7-8		Nut (Hex)-Muffler Clamp Bolt	1	9N	39-41
34806-S		Washer (Lock)-Muffler Clamp Bolt	1	9N	39-41
9N-5255	.40	Pipe (Outlet) - Muffler	1	9N	39-41
9N-5260	.10	Bracket - Muffler Outlet Pipe	1	9N	39-41
88423-S7-8		Stud - Clamp to Rear Axle Housing	1	9N	39-41
33792-S7-8		Nut (Hex)-Clamp to Rear Axle Housing Stud	1	9N	39-41
20396-S7-8		Bolt (Hex Head)-Muffler Outlet Pipe Bracket	1	9N	39-41
34806-S7-8		Washer (Lock) - Muffler Outlet Pipe	1	9N	39-41
33797-S7-8		Nut (Hex)-Muffler Outlet Pipe Bracket Bolt	1	9N	39-41
9N-5290	.85	Shield Assy. - Exhaust Pipe	1	9N	39-41
9N-5293	.10	Clamp - Exhaust Pipe Shield	1	9N	39-41
24327-S7-8		Bolt (Hex Head)-Exhaust Pipe Shield Clamp	2	9N	39-41
34806-S		Washer (Lock)-Exhaust Pipe Shield Assy. Bolt	2	9N	39-41

* Not subject to regular discount.

FORD TRACTOR PARTS PRICE LIST





FORD TRACTOR PARTS PRICE LIST

Part No.	Price	Part Name	Unit	Remarks	Type	Year
ENGINE						
9N-6005	*170.00	Engine Assy. (Less Transmission and Clutch) (See Bulletin #111)	1	9N	39-41
9N-6010	* 53.00	Cylinder Block Assy. with Sleeves and Bearing Caps	1	9N	39-41
9N-6011	*105.00	Cylinder Block Assy. with Pistons, Connecting Rods and Valves	1	9N	39-41
74120-S		Plug (Expansion)-Rear of Cylinder Block ..	1	9N	39-41
88146-S		Stud (Screw)-Valve Chamber Cover	2	9N	39-41
88371-S		Stud (Screw)-Water Pump Housing to Cylinder Block	3	9N	39-41
88403-S		Stud (Screw)-Manifold to Cylinder Block ..	4	9N	39-41
9N-8115	.20	Drain Plug		
9N-6017	2.15	Cover - Timing Gear Side	1	9N	39-41
9N-6018	.01	Gasket - Timing Gear Side Cover	1	9N	39-41
20388-S		Bolt (Hex Head)-Timing Gear Cover	3	9N	39-41
34807-S		Washer (Lock)-Timing Gear Cover Bolt	3	9N	39-41
9N-6019-B	3.90	Cover - Cylinder Front	1	9N	39-41
B-17552	.03	Plug - Cylinder Front Cover	2	9N	39-41
9N-6020	.01	Gasket - Cylinder Front Cover	1	9N	39-41
20388-S		Bolt (Hex Head)-Cylinder Front Cover Plate	6	9N	39-41
34807-S		Washer Cylinder Front Cover Plate	6	9N	39-41
9N-6022	.04	Gasket - Governor to Cylinder Timing Gear Cover Side	1	9N	39-41
9N-6043	.03	Plug (Front)-Engine Block Oil Pipe	2	9N	39-41
9N-6050-B	8.65	Cylinder Head	1	9N	39-41
9N-6051	.65	Gasket - Cylinder Head	1	9N	39-41
351025-S7-8		Nut (Hex)-Cylinder Head Stud	18	9N	39-41
99A-6055	1.45	Sleeve - Cylinder Block	4	9N	39-41
40-6057-B	.20	Insert, Intake Valve	4	9N	39-41
52-6057-B	.15	Insert, Exhaust Valve	4	9N	39-41
9N-6066	.03	Stud (Short)-Cylinder Head	15	9N	39-41
18-6066	.03	Stud (Medium)-Cylinder Head	1	9N	39-41
48-6067	.03	Stud (Long)-Cylinder Head	2	9N	39-41
9N-6100	3.90	Piston and Connecting Rod Assy.	4	9N	39-41
99A-6110-A	1.50	Piston (Standard)	4	9N	39-41
99A-6135-A	.30	Pin - Piston	4	9N	39-41
78-6140	.01	Retainer - Piston Pin	8	9N	39-41
99A-6150-A	.10	Ring - Piston	8	9N	39-41
99A-6153-A	.12	Ring - Piston Oil Control	4	9N	39-41
9N-6200	2.55	Rod - Connecting Assy.	4	9N	39-41
9N-6211	.25	Liner - Connecting Rod Bearing	8	9N	39-41
18-6212	.03	Nut - Connecting Rod	8	9N	39-41
352250-S		Pin (Cotter)-Connecting Rod-Special	8	9N	39-41
9N-6250-B	7.25	Camshaft	1	9N	39-41
9N-6251		Camshaft and Gear Assy. (Obsolete Service 9N-6250-B 9N-6256-A 91A-6258 350400-S)	1	9N	39-41
91A-6256-A	2.45	Gear, Camshaft	9N	39-41
350400-S		Bolt - Camshaft Gear to Camshaft	4	9N	39-41
91A-6258	.05	Lock Ring	1	9N	39-41
91A-6266	.10	Seal - Camshaft Rear Bearing	1	9N	39-41
9N-6271	.70	Bushing - Camshaft, Front	1	9N	39-41
9N-6272	1.10	Bushing - Camshaft, Center and Rear	2	9N	39-41
9N-6303	18.50	Crankshaft	1	9N	39-41
48-6306	.90	Gear - Crankshaft	1	9N	39-41
74156-S		Key (Woodruff)	1	9N	39-41
40-6310	.07	Slinger - Crankshaft Oil	1	9N	39-41
9N-6312	1.20	Pulley Assy. - Crankshaft	1	9N	39-41
B-6319-A	.30	Ratchet - Crankshaft	1	9N	39-41
9N-6325	.85	Cap - Crankshaft Bearing (Rear)	1	9N	39-41

* Not subject to regular discount.

FORD TRACTOR PARTS PRICE LIST



Part No.	Price	Part Name	Unit	Remarks	Type	Year
ENGINE (CONT'D)						
9N-6330	\$.85	Cap - Crankshaft Bearing (Center)	1	9N	39-41
9N-6331	.90	Liner - Main Bearing (Center)	2	9N	39-41
9N-6333	.40	Liner - Main Bearing Front and Rear	4	9N	39-41
91A-6335	.25	Seal - Crankshaft Rear Bearing Oil	1	9N	39-41
9N-6345	.12	Stud (Short)-Main Bearing Cap	5	9N	39-41
9N-6346	.15	Stud (Long)-Main Bearing Cap	1	9N	39-41
B-6348	.05	Nut (Castle) 1/2 - 20 Special	6	9N	39-41
9N-6375	6.75	Fly Wheel and Ring Gear Assy.	1	9N	39-41
350645-S		Bolt (Hex Head)-Flywheel to Crankshaft ..	4	9N	39-41
9N-6384	1.15	Gear - Flywheel Starting	1	9N	39-41
B-6387	.04	Dowel - Flywheel to Crankshaft	2	9N	39-41
18-6397	.03	Dowel - Cylinder Block to Transmission and Front Cover	4	9N	39-41
18-6500-A4	.25	Push Rod - Valve	8	9N	39-41
9N-6505	.50	Valve - Exhaust	4	9N	39-41
40-6505-B	.50	Valve - Intake	4	9N	39-41
40-6510-A	.30Pr.	Bushing - Valve Guide	16	9N	39-41
40-6512	.02	Retainer - Valve Guide Bushing	8	9N	39-41
78-6513	.12	Spring - Valve	8	9N	39-41
40-6514-B	.03	Retainer - Valve Spring	8	9N	39-41
9N-6520	.25	Cover - Valve Chamber	2	9N	39-41
9N-6521	.10	Gasket - Valve Chamber Cover	2	9N	39-41
88146-S		Stud (Screw)-Valve Chamber Cover	2	9N	39-41
33798-S		Nut (Hex)-Valve Chamber	2	9N	39-41
34806-S		Washer (Lock)-Valve Chamber Cover Stud ..	2	9N	39-41
9N-6603	2.45	Body Assy. - Oil Pump	1	9N	39-41
9N-6608	1.85	Drive Gear and Shaft Assy. - Oil Pump ...	1	9N	39-41
52-6610-B	.45	Gear - Oil Pump Driven	1	9N	39-41
9N-6612	.08	Bushing - Oil Pump Body	1	9N	39-41
52-6614-B	.45	Gear - Oil Pump Driving	1	9N	39-41
9N-6615	2.10	Screen Cover Assy. - Oil Pump	1	9N	39-41
22503-S		Bolt (Hex Head) - Oil Pump Cover	3	9N	39-41
9N-6619	.01	Gasket - Oil Pump Cover	1	9N	39-41
01A-6654	.01	Spring - Oil Relief Valve	1	9N	39-41
01A-6663	.02	Plunger - Oil Relief Valve	1	9N	39-41
68-6666	.06	Nut - Oil Relief Valve	1	9N	39-41
9N-6675	20.50	Pan-Oil	1	9N	39-41
72038-S		Pin (Cotter) (Drain Hole)	1	9N	39-41
B-6700	.08	Packing - Oil Pan and Cylinder Front Cover	2	9N	39-41
9N-8115	.20	Plug (Oil Pan Drain)	1	9N	39-41
91A-6701	.10	Packing - Oil Pan Rear	2	9N	39-41
9N-6710	.12	Gasket - Oil Pan R.H.	1	9N	39-41
9N-6711	.12	Gasket - Oil Pan L.H.	1	9N	39-41
20366-S2		Bolt (Hex Head) Oil Pan to Block Bolt ...	13	9N	39-41
20376-S7-8		Bolt - Oil Pan to Front Cover	3	9N	39-41
34806-S7-8		Washer (Lock)-Engine Pan to Block Bolts ..	16	9N	39-41
9N-6730	1.70	Plug and Screen Assy. - Oil Drain	1	9N	39-41
91A-6734	.04	Gasket - Drain Plug	1	9N	39-41
9N-6750-A	.10	Indicator - Oil Level	1	9N	39-41
9N-6754	.15	Tube-Oil Level Indicator	1	9N	39-41
9N-6763	.45	Pipe Assy. - Oil Filler	1	9N	39-41
9N-6766	.30	Cap Assy. - Oil Filler	1	9N	39-41

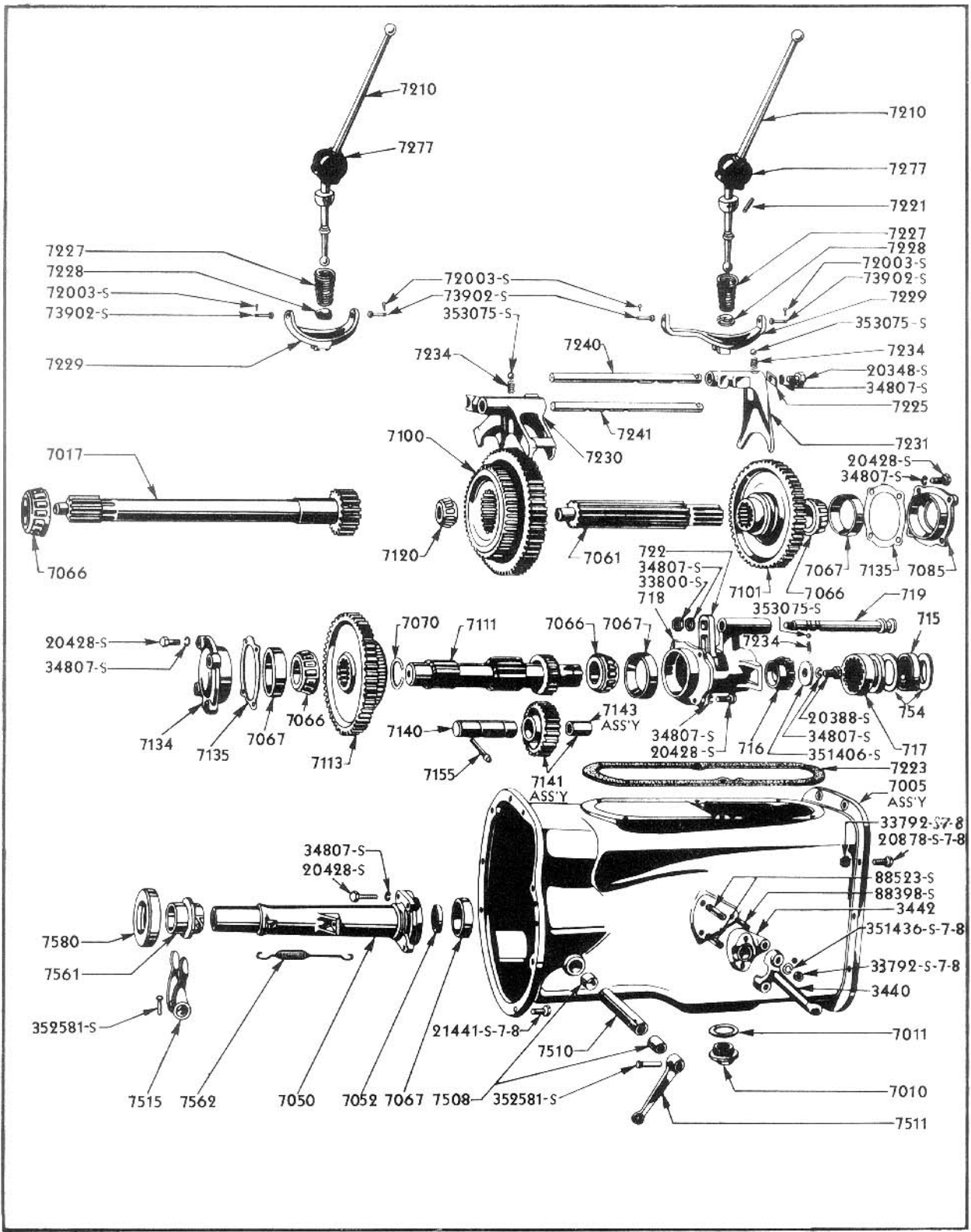
TRANSMISSION

9N-7000	*71.50	Transmission Assy.	1	9N	39-41
21441-S7-8		Bolt (Hex Head)-Transmission Housing to Engine Assy.	9	9N	39-41

* Not subject to regular discount.



FORD TRACTOR PARTS PRICE LIST



FORD TRACTOR PARTS PRICE LIST



Part No.	Price	Part Name	Unit	Remarks	Type	Year
TRANSMISSION (CONT'D)						
20880-S7-8		Bolt (Hex Head)-Transmission to Center Housing	9		9N	39-41
33792-S7-8		Nut (Hex)-Transmission to Center Housing Bolt	9		9N	39-41
9N-7005-A		Case Assy. - Transmission (Obsolete) Used on Tractors Before #47508	1	Obsolete Service		
				9N-7005-B		
				9N-7137-B		
				9N-7158..	9N	39-41
9N-7005-B	\$47.00	Case Assy. - Transmission	1	After Tr.		
				9N-47507.	9N	39-41
9N-7010	1.50	Plug (Drain)-Transmission	3		9N	39-41
9N-7011	.02	Gasket - Transmission Drain Plug	3		9N	39-41
9N-7017-A	4.35	Gear - Transmission Main Drive	1		9N	39-41
9N-7020	.07	Tube (Short)-Transmission Oil Level Indicator	1		9N	39-41
9N-7021	.25	Tube (Long)-Transmission Oil Level Indicator	1		9N	39-41
9N-7050	2.20	Retainer - Transmission Main Drive Gear Bearing	1		9N	39-41
			1		9N	39-41
20428-S		Bolt (Hex Head)-Transmission Retainer ...	4		9N	39-41
34807 S		Washer (Lock)-Transmission Retainer Bolt.	4		9N	39-41
73-7052	.30	Seal - Oil, Transmission Main Drive Gear Bearing			9N	39-41
9N-7061	3.95	Shaft (Main)-Transmission	1		9N	39-41
9N-7066	1.45	Cone and Roller Assy. - Transmission Main and Countershaft Bearing	4		9N	39-41
9N-7067	.80	Cup - Transmission Main and Countershaft Bearing	4		9N	39-41
9N-7070	.06	Ring (Snap)-Transmission Countershaft ...	1		9N	39-41
9N-7085	1.05	Retainer - Transmission Main Shaft Bearing	1		9N	39-41
			1		9N	39-41
20428-S		Bolt (Hex Head)-Transmission Retainer ...	4		9N	39-41
34807-S		Washer (Lock)-Transmission Retainer Bolt.	4		9N	39-41
9N-7086	.01	Gasket - Transmission Bearing Retainer ..	2		9N	39-41
9N-7100	8.35	Gear (Sliding)-Transmission Low and High.	1		9N	39-41
9N-7101	6.00	Gear (Sliding)-Transmission Second and Reverse	1		9N	39-41
9N-7111	5.10	Countershaft-Transmission	1		9N	39-41
9N-7113-A	7.10	Gear - Transmission Countershaft	1		9N	39-41
9N-7120	1.40	Bearing Assy. - Transmission Pilot	1		9N	39-41
9N-7134	1.00	Retainer-Transmission Countershaft Bearing	1		9N	39-41
			1		9N	39-41
20428-S		Bolt (Hex Head)-Transmission Retainer ...	4		9N	39-41
34807-S		Washer (Lock)-Transmission Retainer Bolt.	4		9N	39-41
9N-7135-A	.04	Shim - Transmission Bearing Retainer .003	2		9N	39-41
9N-7135-B	.04	Shim - Transmission Bearing Retainer .004	2		9N	39-41
9N-7135-C	.04	Shim - Transmission Bearing Retainer .007	2		9N	39-41
9N-7135-D	.04	Shim - Transmission Bearing Retainer .010	2		9N	39-41
9N-7135-E	.04	Shim - Transmission Bearing Retainer .020	2		9N	39-41
9N-7137-A	.18	Indicator (Oil Level)-Transmission	1		9N	39-40
9N-7137-B	.15	Indicator (Oil Level) - Transmission ... After (#47508)		After Tr. #47508 ..	9N	40-41
9N-7140	.60	Shaft - Reverse Idler Gear	1		9N	39-41
9N-7141	2.70	Gear and Bushing Assy. - Reverse Idler ..	1		9N	39-41
9N-7143	.35	Bushing - Transmission Idler Gear	1		9N	39-41

* Not subject to regular discount.



FORD TRACTOR PARTS PRICE LIST

Part No.	Price	Part Name	Unit	Remarks	Type	Year
TRANSMISSION (CONT'D)						
9N 7155	\$.06	Pin (Retaining)-Transmission Reverse				
		Idler Shaft	1	9N	39-41
9N-7158	.90	Side Cover Assy.	1	9N	39-41
21440-S7-8		Bolt (Hex Head)-Differential Housing	9N	39-41
		Cover (Side)	4	9N	39-41
21441-S7-8		Bolt (Hex Head)-Differential Housing	9N	39-41
		Side Cover and Brake Sector	2	9N	39-41
9N-7210	2.15	Lever (Shift)-Transmission Gear	1	9N	39-41
9N-7221	.02	Pin - Gear Shift Lever	1	9N	39-41
9N-7223-A	.15	Gasket - Gear Shift Housing (on 7005-A Housing)	1	Before tractor #47508 ..	9N	39-41
9N-7223-B	.15	Gasket - Gear Shift Housing		After tractor #47507 ..	9N	39-41
9N 7225	.05	Plate - Gearshift Fork Rod	1	9N	39-41
20348-S		Bolt (Hex Head)-Shift Rod Anchor	1	9N	39-41
34807-S		Washer (Lock)-Shift Rod Anchor Bolt	1	9N	39-41
9N-7227	.08	Spring - Shifter Lever	1	9N	39-41
9N-7228	.25	Seal - Gear Shift Lever Spring	1	9N	39-41
9N-7229-A	.80	Lock - Gear	1	9N	39-41
9N-7229-B	.25	Lock - Gear	1	9N	39-41
73902-S		Pin (Clevis)-Steering Gear	2	9N	39-41
72003-S		Pin (Cotter)-Drag Link Clamp	2	9N	39-41
9N-7230-A	2.30	Fork (Shifter)-Transmission Low and High Gear	1	9N	39-41
9N-7230-B	4.10	Fork (Shifter)-Transmission Low and High Gear	1	9N	39-41
9N-7231-A	1.95	Fork (Shifter)-Transmission Second and Reverse	1	9N	39-41
9N-7231-B	2.70	Fork (Shifter)-Transmission Second and Reverse	1	9N	39-41
79 7234	.02	Spring - Shifter Fork	2	9N	39-41
353075-S		Ball (Steel)-Transmission Shifter Fork ..	2	9N	39-41
9N-7240	.80	Rod - Transmission Selector R.H.	1	9N	39-41
9N-7241	.80	Rod - Transmission Selector L.H.	1	9N	39-41
9N-7277	.18	Seal (Dust)-Gear Shift Lever	1	9N	39-41
9N-7334	.60	Rod Assy. - Clutch Release	1	9N	39-41
33800-S		Nut (Hex)-Clutch Release Rod	1	9N	39-41
97013-S		Clevis (Adjustable)-Clutch Release Rod ..	1	9N	39-41
73912-S7-8		Pin (Clutch Release Rod Clevis)	2	9N	39-41
9N-7503	1.10	Shaft and Arm Assy. - Clutch Release	1	9N	39-41
9N-7508	.12	Bushing - Clutch Pedal	1	9N	39-41
40-7508	.07	Bushing - Clutch Release Shaft	1	9N	39-41
B-7510	.55	Shaft (Release)-Clutch	1	9N	39-41
353027-A2-S7-8		Fitting (Lubrication)-Clutch Release Shaft	1	9N	39-41
9N-7511	.30	Arm - Clutch Release Shaft	1	9N	39-41
352581-S7-8		Pin (Special Flat Head)-Clutch Release	9N	39-41
		Shaft to Arm	1	9N	39-41
48-7515	.40	Fork - Clutch Release Shaft	1	9N	39-41
352581-S7-8		Pin (Special Flat Head)-Clutch Release	9N	39-41
		Shaft to Fork	1	9N	39-41
9N-7520	2.25	Pedal-Clutch	1	9N	39-41
9N-7530	.75	Rod and Yoke Assy. (Release)-Clutch	1	9N	39-41
72010-S		Pin (Cotter)-Clutch Rod Clevis	2	9N	39-41
73912-S7-8		Pin (Clevis)-Clutch Pedal	2	9N	39-41
97013-S		Clevis Rod and Yoke - Clutch Release Assy.	1	9N	39-41
33800-S7-8		Bolt Rod and Yoke - Clutch Release Assy..	1	9N	39-41

* Not subject to regular discount.

FORD TRACTOR PARTS PRICE LIST



Part No.	Price	Part Name	Unit	Remarks	Type	Year
TRANSMISSION (CONT'D)						
40-7549	\$.45	Facings - Clutch Disc	2		9N	39-41
351926-S		Rivet (Flat Head C'sunk)-Clutch Disc	24		9N	39-41
91A-7550	3.75	Disc Assy. - Clutch	1		9N	39-41
60006-S		Rivet (Flat Head)-Clutch Disc Assy.	6		9N	39-41
9N-7561	.75	Hub - Clutch Release Bearing	1		9N	39-41
9N-7562	.08	Spring - Clutch Release Bearing	2		9N	39-41
09A-7563	5.00	Pressure Plate and Cover Assy. Clutch ...	1		9N	39-41
350433-S		Screw (Hex Head)-Clutch to Flywheel	6		9N	39-41
34806-S		Washer (Lock)-Clutch to Flywheel Bolt ...	6		9N	39-41
78-7580	1.75	Bearing Assy. - Clutch Release	1		9N	39-41
B-7600-A	1.25	Bearing - Clutch Pilot	1		9N	39-41
B-7609	.03	Retainer - Flywheel Dowel	1		9N	39-41

RADIATOR AND GRILLE

9N-8005	21.00	Radiator Assy.	1		9N	39-41
21442-S8		Bolt (Hex Head)-Radiator to Support	2		9N	39-41
351436-S8		Washer (Lock)-Radiator to Support Bolt ..	2		9N	39-41
9N-8032	.35	Pad - Radiator	1		9N	39-41
9N-8100	.90	Cap Assy. - Radiator	1		9N	39-41
9N-8115	.20	Cock (Drain)-Radiator	1		9N	39-41
40-8125	.02	Anti-Squeak - Radiator to Bracket	2		9N	39-41
9N-8206-C	9.75	Grille - Radiator	1		9N	39-41
20311-S7-8		Bolt (Hex Head)-Grille to Support	2		9N	39-41
33798-S8		Nut (Hex)-Grille to Support	2		9N	39-41
34806-S8		Washer (Lock)-Grille to Support	2		9N	39-41
9N-8215	.30	Ornament - Radiator	1		9N	39-41
33795-S		Nut (Hex)-Name Plate to Grille	1		9N	39-41
350835-S		Nut (Speed)-Name Plate to Grille	1		9N	39-41
9N-8260	.25	Hose - Radiator	1		9N	39-41
9N-8286	.55	Hose - Radiator Outlet to Water Pump	1		9N	39-41
60-8287	.04	Clamp Assy. - Radiator Hose	4		9N	39-41
27153-S		Screw (Round Head)-Hose Clamp Assy.	4		9N	39-41
34141-S		Nut (Square)-Hose Clamp Assy. Screw	4		9N	39-41
9N 8430-B	.07	Support - Radiator Grille Lower	2		9N	39-41
20318-S8		Bolt (Hex Head)-Grille Bracket to Radiator Bracket	4		9N	39-41
33798-S8		Nut (Hex)-Grille Bracket to Radiator Bracket Bolt	4		9N	39-41
34706-S8		Washer (Flat)-Grille Bracket to Radiator Support	4		9N	39-41
34806-S8		Washer (Lock)-Grille Bracket to Radiator Support Bolt	4		9N	39-41
9N-8032	.35	Pad - Weather	1		9N	39-41

WATER PUMP

(See Illustration on Page 28)

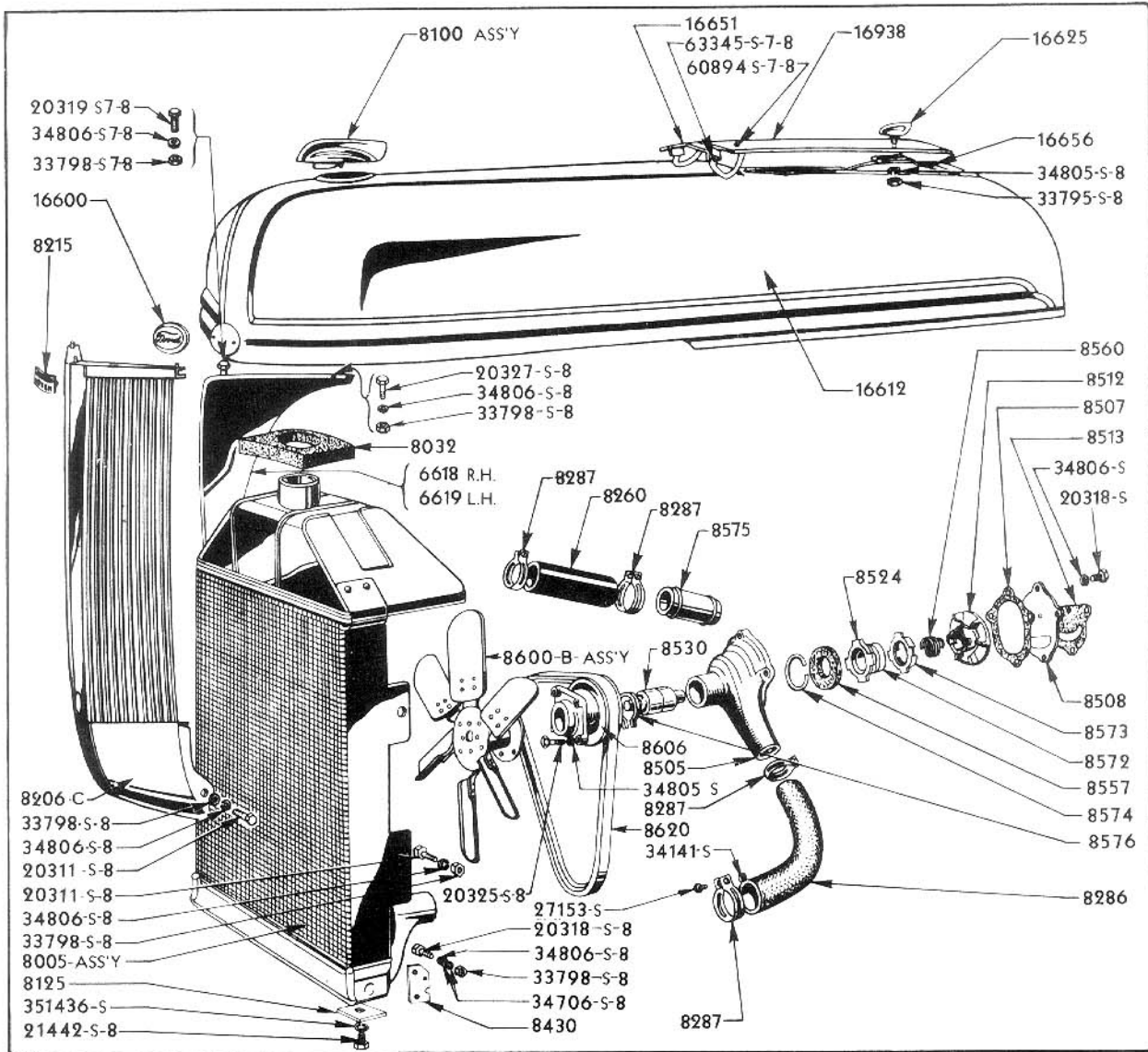
9N-8501	7.25	Water Pump Assy.	1		9N	39-41
9N-8505	2.20	Housing - Water Pump	1		9N	39-41
20318-S7-8		Bolt (Hex Head)-Water Pump Housing to Cylinder Block	1		9N	39-41
88371-S		Stud (Screw)-Water Pump Housing to Cylinder Block	3		9N	39-41
33798-S		Nut (Hex) Water Pump Stud	3		9N	39-41
34806-S		Washer (Lock)-Water Pump Housing to Cylinder Block	4		9N	39-41
9N-8507	.03	Gasket - Water Pump	1		9N	39-41
9N-8508	.15	Cover - Water Pump	1		9N	39-41
78-8512	.40	Impeller - Water Pump	1		9N	39-41

* Not subject to regular discount.



FORD TRACTOR PARTS PRICE LIST

Part No.	Price	Part Name	Unit	Remarks	Type	Year
----------	-------	-----------	------	---------	------	------

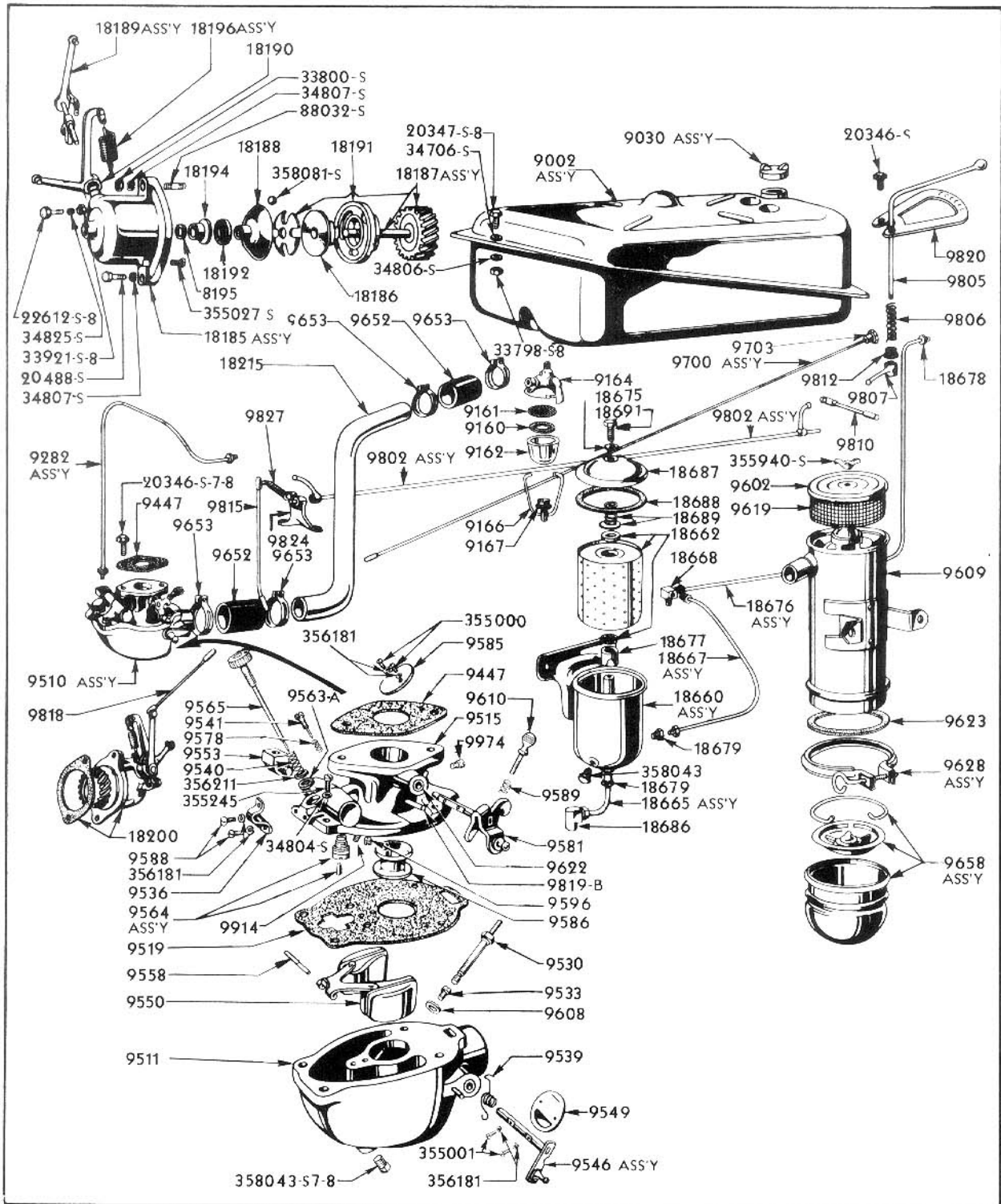


WATER PUMP (CONT'D)

9N-8513	\$.02	Gasket (Rear) - Water Pump	1	9N	39-41
68-8524	.10	Seal - Water Pump	1	9N	39-41
79-8530	2.50	Bearing Assy. - Water Pump	1	9N	39-41
68-8557-A	.20	Washer - Water Pump	1	9N	39-41
68-8560	.04	Spring - Water Pump	1	9N	39-41
68-8572	.02	Ring (Clamp) - Water Pump	1	9N	39-41
68-8573	.04	Guide (Spring) - Water Pump	1	9N	39-41
68-8574	.01	Wire (Snap)	1	9N	39-41
9N-8575-A	1.25	Thermostat Assy.	1	9N	39-41
9N-8576	.05	Ring (Snap) - Water Pump Housing	1	9N	39-41
9N-8600-A		Fan Assy.	1	Obsolete Service 9N-8600-B	9N	39-41
9N-8600-B	*1.75	Fan Assy. (6-Blade Pusher Type)	1	9N	39-41
9N-8600-C		Fan Assy. (6 Blade Pull Type)	1	9N	39-41
20325-S		Bolt (Hex Head) - Fan to Fan Pulley	4	9N	39-41

* Not subject to regular discount.

FORD TRACTOR PARTS PRICE LIST





FORD TRACTOR PARTS PRICE LIST

Part No.	Price	Part Name	Unit	Remarks	Type	Year
WATER PUMP (CONT'D)						
34805-S		Washer (Lock) - Fan to Fan Pulley	4	9N	39-41
9N-8606	\$1.95	Pulley - Fan	1	9N	39-41
52-8620-C	.90	Belt - Fan for A & B Generator	1	9N	39-41
9N-8620-A	.90	Belt - Fan (Long, for C Generator)	1	9N	39-40

FUEL SYSTEM

9N-9002-A	8.65	Fuel Tank Assy.	1	9N	39-41
20347-S7-8		Bolt (Hex Head) - Fuel Tank to Fuel Tank Support	3	9N	39-41
34706-S8		Washer (Flat) - Fuel Tank to Fuel Tank Support	3	9N	39-41
34806-S8		Washer (Lock) - Fuel Tank to Fuel Tank Support	3	9N	39-41
33798-S8		Nut (Hex) - Fuel Tank to Fuel Tank Support Bolt	3	9N	39-41
9N-9030	.20	Cap Assy. - Fuel Tank Filler	2	9N	39-41
9N-9067	.10	Pad - Fuel Tank Support	3	9N	39-41
9N-9121	.12	Anti-Rattler - Fuel Line	1	9N	39-41
9N-9126	1.95	Adaptor-Tank to Tank Support	1	9N	39-41
9N-9155-A	1.80	Sediment Bulb Assy. - Radiator	1	9N	39-41
9N-9160	.02	Gasket - Sediment Bulb	1	9N	39-41
9N-9161	.10	Screen - Sediment Bulb	1	9N	39-41
9N-9162	.12	Glass Bowl - Sediment Bulb	1	9N	39-41
9N-9164-A	1.65	Valve Body Assy. - Sediment Bulb	1	9N	39-41
356392-S		washer Valve Body Assy.	1	9N	39-41
356390-S		washer - Valve Body Assy.	1	9N	39-41
357244		Cotter Pin - Valve Body Assy.	1	9N	39-41
9N-9166	.18	Hold Up Wire Assy. - Sediment Bulb	1	9N	39-41
355755-S		Sediment Bulb Clamp and Cup Assy.	1	9N	39-41
9N-9167	.12	Hold Up Nut - Sediment Bulb	1	9N	39-41
9N-9273	1.45	Gauge Assy. - Oil Pressure	1	9N	39-41
34079-S7-8		Nut (Hex) - Oil Pressure Gauge to Dash ..	2	9N	39-41
34803-S7-8		Washer (Lock) - Oil Pressure Gauge to Dash.	2	9N	39-41
9N-9282	.30	Fuel Line Assy.	1	9N	39-41
91A 2133	.04	Nut - Fuel Line Assy.	2	9N	39-41

MANIFOLD

9N-9425	4.70	Manifold - Intake and Exhaust	1	9N	39-41
88403-S		Stud (Screw) - Exhaust Manifold	4	9N	39-41
33816-S		Nut (Hex) - Exhaust Manifold Studs	4	9N	39-41
351436 S7-8		Washer (Lock) - Manifold	4	9N	39-41
9N-9447	.02	Gasket - Carburetor to Manifold	1	9N	39-41
9N-9448	.05	Gasket - Intake and Exhaust Manifold	2	9N	39-41

CARBURETOR

9N-9506		Throttle Body Assy. (Part Number changed to 9515)	9N	
9N-9507		Carburetor Body and Plugs Assy. (Part Number changed to 9511)	9N	
9N-9510	8.80	Carburetor Assy.	1	9N	39-41
20356 S7-8		Bolt (Hex Head) - Manifold to Carburetor.	2	9N	39-41
34806-S-8		Washer (Lock) - Manifold to Carburetor Bolt	2	9N	39-41
9N-9447	.02	Gasket - Carburetor to Manifold	1	9N	39-41
9N-9511	3.60	Bowl, Carburetor Assy. (Body and Plugs) .	1	9N	39-41

* Not subject to regular discount.

FORD TRACTOR PARTS PRICE LIST



Part No.	Price	Part Name	Unit	Remarks	Type	Year
CARBURETOR (CONT'D)						
9N-9515		Gasket - (Between Upper and Lower Body) (Part Number changed to 9519)	9N	39-41
9N-9515	\$3.50	Throttle Body Assy.	1	9N	39-41
34804-S2		Washer (Lock) - Bowl Cover to Body No. 12.	4	9N	39-41
355245-S	.05	Screw - Bowl Cover to Body	4	9N	39-41
9N-9519	.05	Gasket - Between Upper and Lower Body ...	1	9N	39-41
9N-9530	.40	Nozzle - Carburetor (Main)	1	9N	39-41
9N-9533	.20	Jet - Maximum Fuel Limiting	1	9N	39-41
9N-9536	.15	Ratchet Assy. - Main Adjustment	1	9N	39-41
356181-S		Washer (Lock) - Main Adjustment Ratchet Assy.	2	9N	39-41
9N-9539	.15	Spring (Choke Return) - Carburetor	1	9N	39-41
9N-9540	.10	Spring - Main Adjustment Needle	1	9N	39-41
9N-9541	.25	Needle - Idling Adjusting	1	9N	39-41
9N-9545		Choke Fly Assy.		Obsolete Service 9N-9549..	9N	
9N-9546	.45	Choke Lever and Shaft Assy.	1	9N	39-41
9N-9549	.65	Choke Fly Assy.	1	9N	39-41
356181-S		Washer (Lock) - Main Air Choke Plate	2	9N	39-41
355001-S7-8		Screw (Machine) - Main Air Choke Plate ..	2	9N	39-41
9N-9550	1.00	Float and Lever Assy.	1	9N	39-41
9N-9553	.45	Strainer and Elbow Assy.	1	9N	39-41
9N-9558	.05	Shaft - Carburetor Float Lever	1	9N	39-41
9N-9563	.05	Gasket - Adjusting Needle Seat Plug	1	9N	39-41
9N-9564	.95	Seat and Valve Assy. - Matched Float	1	9N	39-41
9N-9565	.45	Needle Assy. - Main Adjustment	1	9N	39-41
356211-S		Washer (Flat) - Main Adjustment Needle ..	1	9N	39-41
9N-9578	.15	Spring - Idle Adjustment Needle	1	9N	39-41
9N-9581	.60	Throttle Shaft and Lever Assy.	1	9N	39-41
350164-S7-8		Screw (Adjusting) Throttle	1	9N	39-41
9N-9585	.20	Throttle Fly - Carburetor	1	9N	39-41
356181-S		Washer (Lock) - Carburetor Throttle Fly ..	2	9N	39-41
355000-S		Screw (Machine) - Carburetor Throttle Fly	2	9N	39-41
9N-9586	.35	Venturi	1	9N	39-41
355000-S-19		Screw - Carburetor Throttle Plate	2	9N	39-41
9N-9588	.05	Screw - Carburetor Throttle Fly	2	9N	39-41
9N-9589	.10	Spring - Throttle Lever Adjustment Screw.	1	9N	39-41
9N-9591	.07	Retainer - Throttle Shaft Packing	1	9N	39-41
9N-9596	.20	Jet - Idler	1	9N	39-41
9N-9608	.05	Gasket - Pump Check Valve Screw	1	9N	39-41
9N-9610	.10	Screw - Carburetor Throttle Adjustment ..	1	9N	39-41
9N-9622	.05	Packing - Throttle Shaft	1	9N	39-41
9N-9689		Packing - Choke Shaft	1	9N	39-41
9N-9819-B	.01	Pin - Throttle Control Lever	1	9N	39-41
9N-9914	.15	Jet - Economizer	1	9N	39-41
355305-S		Screw (Headless) - Idle Drilling Plug ...	1	9N	39-41
9N-18376	.20	Gasket Kit - Carburetor	1	9N	39-41

AIR CLEANER

9N-9600-C1	7.35	Air Cleaner Assy. (Donaldson)	1	9N	39-41
9N-9600-C2	7.35	Air Cleaner Assy. (U.S.)	1	9N	39-41
21440-S7-8		Bolt (Hex Head) Air Cleaner Upper Steering Housing	2	9N	39-41
351536-S7-8		Washer Lock Spl.	2	9N	39-41
9N-9602-A		Cover Assy. - Air Cleaner (Used on dome type service for 9N 9600-A&B air cleaner)	1	9N	39-41
9N-9602-C1	.70	Cover Assy. - Air Cleaner (Donaldson) ...	1	9N	39-41
9N-9602-C2	.30	Cover Assy. - Air Cleaner (U.S.)	1	9N	39-41

* Not subject to regular discount.



FORD TRACTOR PARTS PRICE LIST

Part No.	Price	Part Name	Unit	Remarks	Type	Year
AIR CLEANER (CONT'D)						
355940-S		Nut (Special Wing) - Air Cleaner Cover ..	1	9N	39-41
9N-9609-C1	\$ 5.30	Body Assy. - Air Cleaner (Donaldson)	1	9N	39-41
9N-9609-C2	5.45	Body Assy. - Air Cleaner (U.S.)	1	9N	39-41
9N-9619-C1	.25	Screen (Inner) - Air Cleaner (Donaldson) .	1	9N	39-41
9N-9619-C2	.06	Screen (Inner) - Air Cleaner (U.S.)	1	9N	39-41
9N-9623	.02	Gasket - Air Cleaner	1	9N	39-41
9N-9628-C1	.70	Clamp Assy. - Air Cleaner (Donaldson) ...	1	9N	39-41
9N-9628-C2	.30	Clamp Assy. - Air Cleaner (U.S.)	1	9N	39-41
9N-9652	.10	Hose - Air Cleaner to Carburetor	2	9N	39-41
9N-9653	.04	Clamp - Air Cleaner to Carburetor Hose ..	4	9N	39-41
9N-9658-C1	1.55	Oil Cup Assy. - Air Cleaner (Donaldson) ..	1	9N	39-41
9N-9658-C2	1.00	Oil Cup Assy. - Air Cleaner (U.S.)	1	9N	39-41
9N-18215-A	1.30	Pipe - Air Cleaner to Carburetor	1	9N	39-41
9N-18215-C	1.30	Pipe - Air Cleaner to Carburetor	1	9N	39-41

THROTTLE CONTROLS

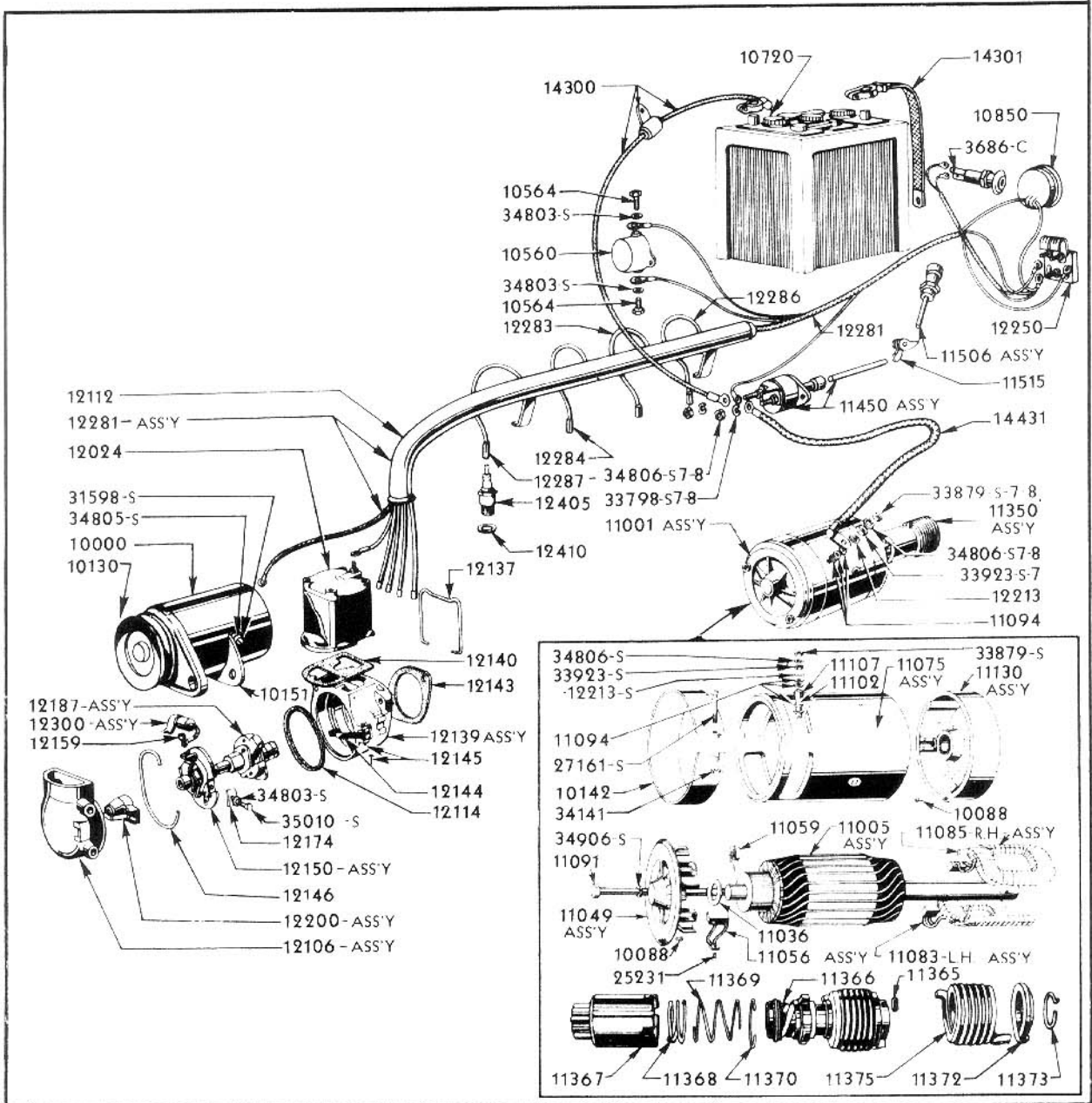
9N-9700-A	.18	Rod Assy. - Choke Control	1	9N	39-41
9N-9703	.20	Knob - Choke	1	9N	39-41
9N-9802	1.65	Shaft Assy. - Throttle Control	1	9N	39-41
9N-9805	1.10	Rod - Throttle Control	1	9N	39-41
9N-9806	.02	Spring - Throttle Control Rod	1	9N	39-41
9N-9807	.40	Lever - Throttle Control (Short)	1	9N	39-41
9N-9810	.12	Socket Assy. - Throttle Control Rod	1	9N	39-41
9N-9812	.06	Retainer - Throttle Control Rod Spring ..	1	9N	39-41
9N-9815-B	.30	Rod Assy. - Throttle Shaft to Governor ..	1	9N	39-41
9N-9818-A	.07	Rod - Governor to Carburetor	1	9N	39-41
9N-9820	.60	Quadrant - Throttle Control Rod	1	9N	39-41
20346-S7-8		Bolt (Hex Head) - Throttle Control Quad-				
		rant to Upper Steering Gear Housing ..	2	9N	39-41
9N-9824	.06	Bracket - Throttle Control Shaft	1	9N	39-41
9N-9827	.04	Governor Compensating Spring	1	9N	39-41
9N-9828	.05	Pin - Throttle Control Shaft Bracket	1	9N	39-41

GENERATOR

9N-10000-B		Generator Assy. (3-Brush Type)	1	Obsolete		
				Service C	9N	39-41
20559-S		Bolt (Hex Head) - Generator to Engine ...	1	9N	39-41
33846-S		Nut (Hex) - Generator to Engine Bracket				
		Bolt	1	9N	39-41
34809-S		Washer (Lock) - Generator to Engine				
		Bracket Bolt	1	9N	39-41
20887-S7-8		Bolt (Hex Head) - Generator to Engine ...	1	9N	39-41
33792-S		Nut (Hex) - Generator to Engine Bracket				
		Bolt	1	9N	39-41
34808-S		Washer (Lock) - Generator to Engine				
		Bracket Bolt	1	9N	39-41
9N-10000-C	15.00	Generator Assy. (Heavy Duty)	1	After		
				Trac. #	9N	39-41
20887-S7-8		Bolt - Generator to Engine	1	9N	39-41
33792-S7-8		Nut - Generator to Engine Bolt	1	9N	39-41
34808-S7-8		Washer - Generator to Engine Bolt	1	9N	39-41
9N-10005-A	5.50	Armature Assy. - Generator	1	9N	39-41
9N-10005-B	5.50	Armature Assy. - Generator	1	9N	39-41
9N-10005-C	6.45	Armature Assy. - Generator	1	9N	39-41
9N-10036	.06	Wire Assy. - Generator	1	9N	39-41
31027-S7-8		Nut			9N	39-41
34902-S		Washer			9N	39-41

* Not subject to regular discount.

FORD TRACTOR PARTS PRICE LIST



FORD TRACTOR PARTS PRICE LIST

Part No.	Price	Part Name	Unit	Remarks	Type	Year
GENERATOR (CONT'D)						
9N-10044	\$.01	Screw - Pole Piece	2		9N	39-41
6E-10044	.01	Screw - Pole Piece	2		9N	39-41
9N-10050-A	1.65	End Plate Assy. - Generator	1		9N	39-41
9N-10050-B	2.00	End Plate Assy. - Generator	1		9N	39-41
31588 S7-8		Screw (Fillister Head) - Generator Brush Terminal to End Plate No. 10	1		9N	39-41
34823-S2		Washer (Lock) - Generator Brush Terminal to End Plate Screw No. 10	1		9N	39-41
40-10051	.02	Brush Holder - Generator	3		9N	39-41
9N-10057	.04	Spring - Generator Brush	3		9N	39-41
40-10057	.02	Spring Brush Holder	3		9N	39-41
9N-10069-A	.25	Fixed Brush and Terminal Wire Assy. - Generator	3		9N	39-41
9N 10069 B	.25	Brush and Terminal Wire Assy. - Generator	3		9N	39-41
355025-S7 8		Screw - Generator Brush Terminal	3		9N	39-41
40-10069	.10	Brush - Generator	2		9N	39-41
40-10070	.07	Brush - Generator (adj.)	1		9N	39-41
31061-S8		Nut			9N	39-41
34902-S		Washer			9N	39-41
13-10088	.01	Dowel - Generator and Starter Frame	2		9N	39-41
9N-10096-A	.01	Ring - Generator Pulley Retaining	1		9N	39-41
9N-10096-B	.01	Ring - Generator Pulley Retaining	1		9N	39-41
9N-10120	.05	Bolt (Through) - Generator	2		9N	39-41
34803-S		Washer (Lock) - Generator End Plate and Frame Assembly No. 10	2		9N	39-41
18-10120-A	.04	Bolt - Generator (through)	2		9N	39-41
34803-S2		Lock Washer	2		9N	39-41
9N 10129-B	1.45	Generator Brush End Plate Assembly	1		9N	39-41
9N-10130-B	1.50	Pulley - Generator (For C Generator)	1		9N	39-41
9N-10130-C	1.40	Pulley - Generator (For A Generator)	1		9N	39-41
9N-10130-D	1.40	Pulley - Generator (For B Generator)	1		9N	39-41
351080-S		Nut - Generator Pulley	1		9N	39-41
74142-S		Key (Woodruff) - Generator Pulley to Shaft	1		9N	39-41
9N-10138-A	2.20	Plate Assy. - Generator Front End	1		9N	39-41
9N-10138-B	2.45	Plate Assy. - Generator Front End	1		9N	39-41
9N-10138-C	2.60	Plate Assy. - Generator Front End	1		9N	39-41
B-10141	.04	Cup - Generator Oil	1		9N	39-41
18-10146	.01	Retainer - Wick	1		9N	39-41
9N-10147	.02	Wick - Generator Brush End Plate	1		9N	39-41
9N-10151-A	.07	Support - Generator	1		9N	39-41
9N-10151-B	.12	Support - Generator	1		9N	39-41
31598-S		Screw - Bracket to Generator Frame	2		9N	39-41
34805-S		Washer (Lock) Bracket to Generator Frame Screw No. 10	2		9N	39-41
9N-10151-C	.12	Support - Generator	1		9N	39-41
20305-S2		Bolt - Generator Support	1		9N	39-41
34805-S		Washer - Generator Support	2		9N	39-41
9N-10175-A	1.60	Field Coil Assy. - Generator	1		9N	39-41
9N 10175-B	1.60	Field Coil Assy. - Generator	1		9N	39-41
9N 10175-C	1.80	Field Coil Assy. - Generator	1		9N	39-41
9N-10208		Insulator - Terminal Inner	1		9N	39-41
81A 10211	.01	Screw - Generator Terminal No. 10-32	1		9N	39-41
34703-S7-8		Washer (Flat) - Generator Terminal Screw No. 10	1		9N	39-41
34079-S7-8		Nut (Hex) - Generator Terminal Screw	2		9N	39-41
34803-S		Washer (Lock) - Generator Terminal Screw No. 10	1		9N	39-41
9N-10211	.02	Screw - Generator Terminal	1		9N	39-41
351253 S7-3		Washer (Flat) - Generator Terminal Screw No. 10	1		9N	39-41
34079-S7 8		Nut (Hex) - Generator Terminal Screw	2		9N	39-41

* Not subject to regular discount.

FORD TRACTOR PARTS PRICE LIST



Part No.	Price	Part Name	Unit	Remarks	Type	Year
GENERATOR (CONT'D)						
34803-S		Washer (Lock) - Generator Terminal Screw No. 10	1	9N	39-41
9N-10505-A	\$ 4.25	Regulator - (Voltage) Generator	1	9N	39-41
9N-10505-B	1.40	Cut Out Assy. - Generator Use 01A-10505	1	9N	39-41
20306-S7-8		Bolt (Hex Head) Cut Out to Dash	2	9N	39-41
34806-S7-8		Washer - Lock	2	9N	39-41

BATTERY

(See Illustration on Page 33)

9N-10597	.30	Cutout Plate	1	9N	39-41
27058-S7-8		Screw	1	9N	
34803-S7-8		Lock Washer	1	9N	
340790-S7-8		Nut	1	9N	39-41
20311-S7-8		Bolt	2	9N	39-41
33798-S7-8		Nut	2	9N	39-41
34806-S7-8		Washer	2	9N	39-41
9N-10655-A	*8.75	Battery Assy. - 13 Plate	1	9N	39-41
81A-10720	.07	Plug (Filler) - Battery	3	9N	39-41
9N-10724	.25	Strap Assy. (Hold Down) Battery	1	9N	39-41
9N-10726	.06	Insulator - Battery Hold Down Strap	1	9N	39-41
9N-10728	.18	Side Piece - Battery Hold Down Strap	2	9N	39-41
34171-S7-8		Nut (Blind) - Battery Hold Down Strap to Dash	2	9N	39-41
34746-S		Washer (Flat) - Battery Hold Down Strap to Dash	2	9N	39-41
9N-10737	.65	Plate - Battery Cover	1	9N	39-41

AMMETER

(See Illustration on Page 16)

9N-10850-A		Ammeter Assy.	1	Obsolete		
				Service B	9N	39-41
9N-10850-B	1.40	Ammeter Assy.	1	9N	39-41
350860-S		Nut (Hex Brass) - Ammeter to Rear Bolt No. 10	2	9N	39-41

STARTER AND DRIVE

(See Illustration on Page 33)

9N-11001	14.25	Starter and Drive Assy.	1	9N	39-41
9N-11002	10.00	Starter Assy. (Only)	1	9N	39-41
18-10142	.05	Band - Starter Cover	1	9N	39-41
27161-S		Screw (Round Head Machine) - Starter Cover Band	1	9N	39-41
34141-S		Nut (Square) - Starter Cover Band Screw No. 10-32	1	9N	39-41
52-11005	3.50	Armature Assy. - Starter	1	9N	39-41
18-11036	.01	Washer (Thrust) - Starter Armature	2	9N	39-41
18-11049	.65	End Plate Assy. - Starter Brush	1	9N	39-41
18-11056	.15	Brush Assy. Starter (Grounded)	2	9N	39-41
25231-S7-8		Screw (Fillister Head Machine) - Starter Brush Assy. to Frame	2	9N	39-41
B-11059	.03	Spring - Starter Brush	4	9N	39-41
18-11083	.65	Field Coil - Starter L.H.	1	9N	39-41
18-11085	.65	Field Coil - Starter R.H.	1	9N	39-41
18-11091	.03	Bolt (Through) Starter	2	9N	39-41

* Not subject to regular discount.



FORD TRACTOR PARTS PRICE LIST

Part No.	Price	Part Name	Unit	Remarks	Type	Year
STARTER AND DRIVE (CONT'D)						
34906 S2		Washer (Internal Tooth) Starter through Bolt	2		9N	39-41
18-11094	\$.01	Washer - Starter Field Terminal	3		9N	39-41
18-11102	.05	Terminal - Starter Field	1		9N	39-41
34806-S7-8		Washer (Lock) - Starter Field Terminal Post	1		9N	39-41
33923 S7		Nut (Hex) - Starter Field Terminal Check Nut	1		9N	39-41
		Nut (Hex) - Starter Field Terminal Post ..	1		9N	39-41
33879-S7		Bushing - Starter Terminal	1		9N	39-41
18-11107	.03	Plate Assy. - Starter (Rear End)	1		9N	39-41
52-11130	.85	Bracket - Starter to Oil Pan	1		9N	39-41
52A-11140-B	.02	Drive Assy. - Starter	1		9N	39-41
52-11350 C	3.50	Pin - Pinion	1		9N	39-41
52-11365 B	.02	Shaft - Drive Screw	1		9N	39-41
52-11366 B	2.55	Pinion and Barrel Drive	1		9N	39-41
52-11367	1.90	Spring - mashing	1		9N	39-41
52-11368	.20	Spring - Anti Drift	1		9N	39-41
52-11369	.12	Ring - Pinion and Barrel Retainer	1		9N	39-41
52-11370	.03	Plate - Anchor Spring	1		9N	39-41
52-11372	.25	Ring (Lock) Spring	1		9N	39-41
52-11373	.05	Spring - Starter Drive	1		9N	39-41
52-11375	.60	Switch - Starter Assy. (In Dash)	1		9N	39-41
9N-11450 A	.70	Switch - Starter Assy. (Foot Control) ..	1		9N	39-41
9N-11450-B	1.25	Gasket - Starting Switch	1		9N	39-41
9N-11467	.02	Bolt (Hex Head) - Starter Button	2		9N	39-41
20310-S7-8		Nut (Hex) - Starter Switch Assy.	2		9N	39-41
33798-S2		Washer (Lock) - Starter Switch to				
34806-S		Steering Gear Housing	2		9N	39-41
9N-11500	.18	Knob - Starter Switch (Rubber)	1		9N	39-41
9N-11506	.70	Starter Button Assy.	1		9N	39-41
9N-11511	.06	Rod - Starter Push Lever	1		9N	39-41
9N-11512	.25	Rod - Starter Push	1		9N	39-41
72009-S		Pin - (Cotter) Starter Button to				
		Starter Switch Push Rod	1		9N	39-41
9N-11515	1.30	Lever - Starter Push	1		9N	39-41
9N-11652	.85	Switch Assy. - Lighting With Connector				
		Wires	1		9N	39-41
9N-11653-B	2.70	Wiring Assy. - Lighting - Less Switch ...	1		9N	39-41
9N-11664	.06	Plug (Rubber) - Dash	1		9N	39-41

DISTRIBUTOR AND COIL

(See Illustration on Page 33)

9N-12000	14.75	Distributor and Coil Assy.	1		9N	39-41
20376-S7-8		Bolt (Hex Head) Distributor to Engine				
		Front Cover	2		9N	39-41
34806-S7-8		Washer, Lock	2		9N	39-41
9N-12024	3.60	Ignition Coil Assy.	1		9N	39-41
350830-S7-8		Nut, Ignition primary post	1		9N	39-41
9N-12100	11.25	Distributor Assy. Less Coil	1		9N	39-41
9N-12106	2.30	Housing Assy. - Distributor Terminal (Cap)	1		9N	39-41
9N-12112	1.25	Conduit - Spark Plug Wires	1		9N	39-41
9N-12113	.05	Grommet (Seal) - Spark Plug Wire	4		9N	39-41
91A-12114	.03	Gasket - Distributor Terminal Housing ...	1		9N	39-41
9N-12137	.03	Bail - Distributor Coil	1		9N	39-41
9N-12139	2.00	Distributor Base and Clamp Assy.	1		9N	39-41
91A-12140	.08	Gasket - Distributor Coil	1		9N	39-41
9N-12143	.02	Gasket - Distributor base	1		9N	39-41
9N-12144	.02	Clamp - Distributor Terminal Housing	2		9N	39-41
B-12145	.01	Rivet - Distributor Cap Clamp	2		9N	39-41

* Not subject to regular discount.

FORD TRACTOR PARTS PRICE LIST



Part No.	Price	Part Name	Unit	Remarks	Type	Year
DISTRIBUTOR AND COIL (CONT'D)						
91A-12146	\$.03	Spring - Distributor Base	1	9N	39-41
9N-12147	.18	Dist. Vent Cap Assy.	2	9N	39-41
48-12148	.01	Screw - Distributor to Front Cover	2	9N	39-41
9N-12150	2.85	Breaker Assy. - Distributor	1	9N	39-41
9N-12151	2.00	Dist. Bracket Plate Assy.	1	9N	39-41
91A-12159	.02	Screw (Primary) Contact Distributor	1	9N	39-41
9N-12162	.60	Arm Distributor breaker	1	9N	39-41
91A-12174	.02	Washer - Dist. Breaker Plate Screw	1	9N	39-41
34803-S		Washer (Lock) - Distributor Breaker Plate Bolt	1	9N	39-41
350101-S7 8		Bolt - Dist. Breaker Plate	1	9N	39-41
9N-12187	3.50	Shaft Cam and Weights Assy. Distributor .	1	9N	39-41
91A-12200	.45	Rotor Assy. - Distributor	1	9N	39-41
B-12213	.01	Washer - Dist. Cam Screw	1	9N	39-41
68-12219	.25	Bracket Assy. - Dist. Contact	1	9N	39-41
68-12230	.03	Dist. Bracket Lock Screw	1	9N	39-41
9N-12250-B	.40	Resistor	1	9N	39-41
9N-12281-A	3.90	Conduit and Wiring Assy.	1	9N	39-41
9N-12281-B	4.55	Conduit and Wiring Assy.	1	9N	39-41
9N-12281-C	4.50	Conduit and Wiring Assy.	1	9N	39-41
9N-12281-D	4.50	Conduit and Wiring Assy. (Use 9N-13603 Wire to Indicator Lamp)	1	9N	39-41
9N-12281-E	4.35	Conduit and Wiring Assy.	1	9N	39-41
9N-12283	.20	Wire (Cylinder No. 3) - Dist. to Spark Plug	1	9N	39-41
9N-12284	.20	Wire (Cylinder No. 2) - Dist. to Spark Plug	1	9N	39-41
9N-12286	.25	Wire (Cylinder No. 4) - Dist. to Spark Plug	1	9N	39-41
9N-12287	.20	Wire (Cylinder No. 1) - Dist. to Spark Plug	1	9N	39-41
91A-12300	.35	Condenser Assy.	1	9N	39-41
31032-S7		Screw - Condenser to Dist. Body	1	9N	39-41
34802-S7		Washer (Lock) - Condenser to Dist. Body Screw	1	9N	39-41
9N-12405	.65 (Lots of 4 - .59)	Spark Plug Assy.	4	9N	39-41
52-12410	.01	Gasket - Spark Plug	4	9N	39-41

WIRING

(See Illustration on Page 33)

9N-13603	.30	Wire - Conduit to Indicator Lamp (Use With 9N-12281-D)	1	9N	39-41
9N-14300-A	.45	Cable Assy. - Battery to Switch	1	9N	39-41
9N-14300-B		Cable Assy. - Battery to Switch	1	Obsolete Service C	9N	39-41
9N-14300-C	1.20	Cable Assy. - Battery to Switch	1	9N	39-41
9N-14301	.60	Connector Assy. - Battery to Ground	1	9N	39-41
23017-S16		Bolt (Hex Head) - Battery Connection	2	9N	39-41
33797-S16		Nut (Hex) - Battery Connection	2	9N	39-41
9N-14377	.10	Connector Assy.	1	9N	39-41
9N-14431-A	.90	Cable Assy. - Starter Switch to Starter .	1	9N	39-41
9N-14431-B	.60	Cable Assy. - Starter Switch to Starter .	1	9N	39-41
51-14550	.10	Switch to Starter Cable Support Assy. ...	1	9N	39-41
9N-14564	.07	Bracket - Spark Plug Wire	1	9N	39-41
B-14585	.02	Clip	9N	39-41
B-14586	.01	Clip	9N	39-41
9N-2279	.05	Clip, Wiring, Right Side Ignition Switch.	1	9N	39-41

*Not subject to regular discount.



FORD TRACTOR PARTS PRICE LIST

Part No.	Price	Part Name	Unit	Remarks	Type	Year
FENDER						
9N-16312	\$8.35	Fender Assy.	2		9N	39-41
21191-S7-8		Bolt (Hex Head) - Fender Bracket to Rear Axle Housing	4		9N	39-41
33806-S7-8		Nut (Hex) - Rear Fender Bracket to Rear Axle	4		9N	39-41
351505-S7-8-18		Washer (Flat) - Fender to Rear Axle Housing	4		9N	39-41

HOOD ASSEMBLY

(See Illustration on Page 28)

9N-16600	.35	Ornament - Hood	1		9N	39-41
33795-S8		Nut (Hex) - Name Plate to Hood Top	1		9N	39-41
350835-S8		Nut (Speed) - Name Plate to Hood Top	1		9N	39-41
9N-16612-B	32.50	Top Assy. - Hood (Painted)	1		9N	39-41
9N-16612-C	32.50	Top Assy. - Hood (Painted)	1		9N	39-41
350472-S8		Bolt (Special Carriage) - Instrument Panel to Hood Top	4		9N	39-41
33798-S7-8		Nut - (Hex) - Instrument Panel to Hood Top Bolt	4		9N	39-41
34806-S7-8		Washer - Lock - Instrument Panel to Hood Top Bolt	4		9N	39-41
9N-16618	1.50	Panel Assy. (Side) - Hood (R.H.)	1		9N	39-41
9N-16619	1.50	Panel Assy. (Side) - Hood (L.H.)	1		9N	39-41
20318-S8		Bolt (Hex Head) - Hood Side to Radiator Grille Lower Support	4		9N	39-41
34806-S8		Washer (Lock) - Hood Side to Support Bolt	4		9N	39-41
20311-S7-8		Bolt (Hex Head) - Hood Top to Hood Side Rear	2		9N	39-41
20319-S7-8		Bolt (Hex Head) Hood Side Panel Front to Hood	2		9N	39-41
33798-S8		Nut (Hex) - Hood Top to Hood Side Bolt ..	4		9N	39-41
34806-S8		Washer (Lock) - Hood Top to Hood Side ..	4		9N	39-41
20311-S7-8		Bolt (Hex Head) - Hood Side to Support Lower Bracket	2		9N	39-41
34806-S8		Washer (Lock) - Hood Side to Support Radiator Bracket Bolt	2		9N	39-41
33798-S7-8		Nut (Hex) - Hood Side to Support Lower Bracket Bolt	2		9N	39-41
9N-16625	.60	Stud and Handle - Hood Top Battery	1		9N	39-41
33795-S8		Nut (Hex) - Hood Top Battery Cover Handle Stud	1		9N	39-41
34805-S8		Washer (Lock) - Hood Top Battery Cover Handle Stud	1		9N	39-41
9N-16651	.12	Retainer - Hood Top Battery Cover Hinge .	1		9N	39-41
63345-S		Rivet (Oval Head) - Hood Top Battery Cover Hinge Retainer to Hinge	2		9N	39-41
9N-16656	.50	Tongue - Hood Top Battery Cover	1		9N	39-41
9N-16689	.30	Hinge - Hood Top Battery Cover	1		9N	39-41
60894-S8		Rivet (Oval Head) - Hood Top Battery Cover to Hinge	4		9N	39-41
9N-16938-B	1.40	Cover Assy. - Hood Top Battery	1		9N	39-41
9N-16938-C	.60	Cover Assy. - Hood Top Battery	1		9N	39-41
9N-16938-D	.65	Cover Assy. - Hood Top Battery (Use with "C" Hood when repl. "A" and "B" Hoods) .	1		9N	39-41
9N-16942-C	.40	Cover - Hood Top Battery	1		9N	39-41
9N-16948-B	.02	Spring - Battery Opening Cover	4		9N	39-41
60882-S		Rivet - Battery Cover Spring	8		9N	39-41

* Not subject to regular discount.

FORD TRACTOR PARTS PRICE LIST



Part No.	Price	Part Name	Unit	Remarks	Type	Year
TOOL BOX AND TOOLS						
9N 17004	\$ 4.30	Tool Kit	1	9N	39 41
B-17005-A	.20	Tool Bag	1	9N	39 41
9N 17005	2.15	Tool Box Assy.	1	9N	39-41
21440-S7 8		Bolt (Hex Head) - Tool Box to Upper Housing	2	9N	39 41
351436-S7-8		Washer (Lock) - Tool Box	2	9N	39-41
9N 17014	.75	Wrench (Open End-Hex)	1	9N	39 41
O1A-17015	.20	Wrench (Open End-Hex)	1	9N	39 41
O1A-17016	.20	Wrench (Open End-Hex)	1	9N	39-41
O1A 17017-B	.45	Wrench - Spark Plug and Cylinder Head Nut	1	9N	39-41
B-17020	.20	Screw Driver	1	9N	39-41
O1A-17021	.45	Wrench - Monkey	1	9N	39-41
B 17025 A	.30	Pliers Assy.	1	9N	39-41
9N-17040	.60	Crank - Starting	1	9N	39-41
9N-17049	8.90	Cover - Tractor	1	9N	39-41
9N-17052	**4.25	Tire Pump	1	9N	39-41
9N-17065	*2.00	Adapter - Assy. Tire Pump Spark Plug	1	9N	39-41
9N-17078	3.75	Jack and Handle Assy.	1	9N	39-41
9N-17080	3.40	Jack	1	9N	39-41
9N-17081	.35	Handle - Jack	1	9N	39 41
9N-17125-B	1.15	Grease Gun	1	9N	39-41
9N-17667	.12	Clip - Wiring	1	9N	39-41
9N-17668	.06	Clip - Wiring	1	9N	39-41

GOVERNOR

(See Illustration on Page 29)

9N-18200-B	16.25	Governor Assy.	1	9N	39 41
20488-S		Bolt (Hex Head) - Governor to Side Cover ..	1	9N	39-41
88032-S		Stud (Screw) - Governor to Side Cover ..	1	9N	39-41
33800-S		Nut (Hex) - Governor to Side Cover	1	9N	39-41
34807-S		Washer (Lock) - Governor to Side Cover ..	2	9N	39-41
9N-18185	4.25	Body Assy. - Governor	1	9N	39 41
9N-18186	2.30	Lower Race Assy. - Governor	1	9N	39-41
9N-18187	2.60	Drive Shaft Assy. - Governor	1	9N	39-41
9N-18188	.50	Upper Race Assy. - Governor	1	9N	39-41
9N-18189	1.55	Lever Assy. - Governor	1	9N	39-41
9N-18190	1.05	Manual Lever Assy. - Governor	1	9N	39-41
22612-S8		Screw - Adjusting	1	9N	39-41
33921-S8		Nut - Adjusting Screw	1	9N	39-41
34825-S8		Washer (Lock) - Adjusting Screw	1	9N	39-41
9N-18191	.90	Base - Governor	1	9N	39-41
9N-18192	.30	Bearing (Thrust) - Governor Base	1	9N	39-41
9N-18194	.30	Base (Fork) - Governor	1	9N	39-41
9N-18195	.02	Clip - Governor Shaft	1	9N	39 41
9N-18196	.30	Spring - Governor Base	1	9N	39-41
9N-18241	.01	Shim - Ball Stop	As Req.	9N	39-41
355027-S		Screw - Governor Body	2	9N	39-41
356430-S		Washer - Ball Stop	1	9N	39-41
358081-S		Ball - Governor Base	4	9N	39-41
356490-S		Spacer, Governor Drive Shaft	1	9N	39-41
357408-S		Pin, Governing Lever Link	1	9N	39-41
357499-S		Pin, Manual Lever Link	1	9N	39-41

OIL FILTER

(See Illustration on Page 29)

9N-18658	1.95	Oil Filter Assy.	1	9N	39-41
358043-S7-8		Plug - Oil Filter	1	9N	39 41

* Not subject to regular discount.

**See Bulletin for special price.

FORD TRACTOR PARTS PRICE LIST

Part No.	Price	Part Name	Unit	Remarks	Type	Year
OIL FILTER (CONT'D)						
29348-S7-8		Bolt (Hex Head) - Oil Filter to Upper Housing	2		9N	39-41
351436-S7-8		Washer (Lock) - Oil Filter	2		9N	39-41
9N-18662	\$ 1.00	Element - Oil Filter	1		9N	39-41
9N-18665	.30	Tube - Oil Filter Outlet	1		9N	39-41
9N-18667	.25	Tube - Oil Filter Inlet	1		9N	39-41
91A-2133	.03	Nut - Oil Filter Inlet Tube	2		9N	39-41
9N-18668	.18	Elbow - Filter and Gauge to Block	1		9N	39-41
O1A-18675	.03	Washer - Cover Hold Down Bolt	1		9N	39-41
9N-18676	.30	Tube - Oil Pressure Gauge	1		9N	39-41
9N-18677	.25	Oil Filter Cartridge Spacer	2		9N	39-41
9N-18679	.06	Adapter - Oil Filter Tube	3		9N	39-41
9N-18685	.06	Adapter - Oil Gauge Tube	1		9N	39-41
9N-18686	.10	Elbow - Oil Filter	1		9N	39-41
9N-18687	1.80	Cover - Oil Filter	1		9N	39-41
9N-18688	.18	Gasket - Oil Filter Cover	1		9N	39-41
O1A-18689	.20	Spring and Washer (Hold Down) - Element ..	1		9N	39-41
O1A-18691-A	.30	Bolt - Oil Filter Cover	1		9N	39-41

HEAD LAMP

9N-11652	.85	Switch Assy. - Lighting with Connector Wires Assy.....	1		9N	39-41
9N-11653-B	2.70	Wiring - Lighting Assy. (Less Switch) ...	1		9N	39-41
9N-13002	4.55	Head Lamp Assy. R. H.	1		9N	39-41
9N-13003	4.55	Head Lamp Assy. L. H.	1		9N	39-41
356803-S7-8		Nut (Hex) - Head Lamp Assy.	2		9N	39-41
34809-S7-8		Washer (Lock) - Head-Lamp Assy.	2		9N	39-41
9N-13007	.27	Bulb (32 C. P. 6-8 Volt) - Head Lamp	2		9N	39-41
9N-13045	.85	Door - Head Lamp Assy.	2		9N	39-41
9N-13060	.75	Lens - Head Lamp	2		9N	39-41
9N-13061	.07	Spring - Head Lamp Lens Assy.			9N	39-41
9N-13102	.30	Reinforcement Medallion	2		9N	39-41
9N-13404	.60	Lamp and Bracket Assy. - Rear	1		9N	39-41
33792-S4		Nut (Hex) - Tail Lamp Bracket	1		9N	39-41
34808-S4		Washer (Lock) - Tail Lamp Bracket	1		9N	39-41
9N-13445	.25	Lens (White) - Tail Lamp License Plate ..	1		9N	39-41
9N-13448	.40	Door - Rear Lamp	1		9N	39-41
9N-13450	.35	Lens (Red) - Rear Lamp	1		9N	39-41
B-13466	** .07	Bulb (6 Volt 3 C.P.) - Indicator Lamp ...	1		9N	39-41
9N-13468	.65	Bracket - Tail Lamp Support	1		9N	39-41
9N-13470	.35	Bracket - Fender Lamp R.H.	1		9N	39-41
9N-13471	.35	Bracket - Fender Lamp L.H.	1		9N	39-41
9N-13472	.65	Bracket - Lamp Mounting R.H.	1		9N	39-41
9N-13473	.65	Bracket - Lamp Mounting L.H.	1		9N	39-41
9N-14487		Connector - Assy. - Wire	4		9N	39-41

ACCESSORIES

9N-1170-A	\$97.50	Extra Rear Wheel and Tire (Set) 8 x 32 ..	1		9N	39-41
9N-1170-B	\$145.00	Extra Rear Wheel and Tire (Set) 10 x 32 .	1		9N	39-41
9N-1170-D	\$95.00	Extra - Rear Wheel and Tire set (Steel) .	1		9N	39-41
	2.25	Paint - Tractor Gray (1/2 gal.)			9N	39-41
M 2888	3.65	Paint - Tractor Gray (1 gal.)			9N	39-41
	17.50	Paint - Tractor Gray (5 gals.)			9N	39-41
9N-17049	8.90	Cover - Tractor	1		9N	39-41
9N-18438	14.50	Kit - Lighting	1		9N	39-41

* Not subject to regular discount.
 **See Bulletin for special price.

STANDARD PARTS



Part No.	Price	Part Name	Part No.	Price	Part Name
20306-S7	\$.02	5/16-18 x 7/16	20887-S7	\$.05	7/16-20 x 3
	1.35-C	Hex Head Bolt		4.00-C	Hex Head Bolt
20310-S7	.01	5/16-18 x 1/2	20889-S7	.10	7/16-20 x 5
	.80-C	Hex Head Bolt		1.80-XX	Hex Head Bolt
20311-S7	.01	5/16-24 x 1/2		.20	5/8-18 x 2.875
	.80 C	Hex Head Bolt	21182-S7	1.80-X	Hex Head Bolt
20318-S7	.01	5/16-18 x 9/16		.20	5/8-18 x 5.312
	.75-C	Hex Head Bolt	21192 S7	1.80-X	Hex Head Bolt
20319-S7	.02	5/16-24 x 9/16		.03	7/16-14 x .75
	1.15-C	Hex Head Bolt	21440-S7	2.30-C	Hex Head Bolt
20325-S7	.02	1/4-28 x 5/8		.03	7/16-1.4 x 1.128
	1.10-C	Hex Head Bolt	21441-S7	2.65	Hex Head Bolt
20346-S7	.01	5/16-18 x 3/4		.04	7/16-14 x 1.38
	.90-C	Hex Head Bolt	21442-S7	3.00-C	Hex Head Bolt
20347-S7	.01	5/16-24 x 3/4		.03	7/16-14 x .94
	.80-C	Hex Head Bolt	21443-S7	2.60-C	Hex Head Bolt
20348-S7	.02	3/8-16 x 3/4		.04	7/16-14 x 1.38
	1.25-C	Hex Head Bolt	21444-S7	3.00-C	Hex Head Bolt
20348-S	.02	3/8-16 x 3/4		.05	7/16-14 x 2.5
	1.20 C	Hex Head Bolt	21446-S7	3.75-C	Hex Head Bolt
20356-S7	.01	5/16-18 x 13/16		.03	7/16-14 x 1.5
	.75-C	Hex Head Bolt	21447-S7	2.75-C	Hex Head Bolt
20366-S2	.01	5/16-18 x 7/8		.03	7/16-14 x 1.72
	.90-C	Hex Head Bolt	21448-S7	2.00-C	Hex Head Bolt
20368-S7	.02	3/8-16 x 7/8		.06	7/16-14 x 3.625
	1.30-C	Hex Head Bolt	21449-S7	.90-XX	Hex Head Bolt
20376-S7	.01	5/16-18 x 15/16		.03	5/16-18 x 1-5/8
	.75-C	Hex Head Bolt	21427-S7	2.65-C	Hex Head Bolt
20386-S2	.01	5/16-18 x 1		.05	5/16-24 x 1-1/4
	.85-C	Hex Head Bolt	22228-S7	4.00-C	Hex Head Bolt
20388-S7	.02	3/8-16 x 1		.03	7/16-20 x 1-3/4
	1.35-C	Hex Head Bolt	22267-S2	2.35-C	Hex Head Bolt
20388-S2	.02	3/8 16 x 1		.04	1/4-20 x 5/8
	1.30-C	Hex Head Bolt	22503-S	3.50-C	Hex Head Bolt
20389-S7	.02	3/8-24 x 1		.05	1/4-28 x 3/4
	1.50	Hex Head Bolt	22612-S7	4.00-C	Hex Head Bolt
20408-S7	.02	3/8-16 x 1		.02	5/16-18 x 1-1/4
	1.45-C	Hex Head Bolt	23017-S16	1.25-C	Hex Head Bolt
20426-S7	.01	5/16-18 x 1-1/4		.01	5/16-24 x 5/8
	.95-C	Hex Head Bolt	24327-S7	.60	Hex Head Bolt
20488-S7	.02	3/8-16 x 1-5/8		.01	5/16-18 x 9/16
	1.50-C	Hex Head Bolt	24642-S7	.65-C	Flat Head Screw
20672-S	.04	9/16-12 x 1-1/4		.01	No. 10-32 x 1/2
	3.10-C	Hex Head Bolt	25231-S7	.60-C	Flat Head Screw
20873-S7	.07	7/16-20 x 1.06		.01	No. 8-32 x 5/8
	1.10-XX	Hex Head Bolt	25881-S7	.60-C	Brass Flat Head Screw
20874-S7	.03	7/16-20 x .68		.01	No. 6-32 x 1/4
	2.60-C	Hex Head Bolt	26456-S7	.40-C	Round Head Screw
20876-S7	.07	7/16-20 x .88		.01	No. 10-32 x 1-1/8
	1.10-XX	Hex Head Bolt	27153-S7	.55-C	Round Head Screw
20878-S7	.05	7/16-20 x 1.25		.01	No. 10-32 x 1-1/4
	4.00-C	Hex Head Bolt	27161-S7	.65-C	Round Head Screw
20880-S7	.04	7/16-20 x 1.575		.01	No. 8-32 x 1/4
	3.00-C	Hex Head Bolt	31032-S7	.35-C	Fillibuster Head Screw
20881-S7	.04	7/16-20 x 1.56		.01	No. 10-32 x 5/16
	3.45-C	Hex Head Bolt	31588-S7	.60-C	Fillibuster Head Screw
20882-S7	.04	7/16-20 x 1.375			
	3.40-C	Hex Head Bolt			
20886-S7	.10	7/16-20 x 3.32			
	1.40-XX	Hex Head Bolt			

STANDARD PARTS

Part No.	Price	Part Name	Part No.	Price	Part Name
31598-S7	\$.01	1/4-20 x 3/8	34802-S7	\$.01	No. 10 Lock Washer
	.60-C	Fillibuster Head		.20-C	
		Bolt	34803-S7	.01	No. 10 Lock Washer
33790-S7	.02	7/16-20		.15-C	
	1.20-C	Hex Check Nut	34804-S	.01	No. 12 Washer
33792-S7	.02	7/16-20		.10-C	
	1.60-C	Hex Nut	34805-S7	.01	1/4 Lock Washer
33792-S18	.02	7/16-20		.20-C	
	1.60-C	Nut Reg.Hex	34806-S7	.01	5/16 Lock Washer
33794-S7	.03	7/16-20		.25-C	
	2.10-C	Thick Hex Nut	34807-S2	.01	3/8 Lock Washer
33795-S7	.01	1/4-20 Hex Nut		.30-C	
	.35-C		34807-S7	.01	3/8 Lock Washer
33797-S7	.01	5/16-18		.25-C	
	.65-C	Nut Reg Hex	34809-S7	.01	1/2 Lock Washer
33797-S16	.01	5/16-18		.60-C	
	5.00-M	Nut Reg Hex	34810-S	.01	9/16 Lock Washer
33798-S7	.01	5/16-24 Hex Nut		.65-C	
	.65-C		34822-S7	.01	No. 8 Lock Washer
33800-S7	.01	3/8-24 Hex Nut		.15-C	
	.90-C		34823-S7	.01	No. 10 Lock Washer
33806-S7-18	.05	5/8-18 Hex Nut		.30-C	
	4.50-C		34842-S7	.01	No. 8 Lock Washer
33816-S7	.04	5/16-20 Hex Nut		.20-C	
	3.25-C		34906-S2	.01	5/16 Lock Washer
33817-S	.02	7/16-20 Slotted		.25-C	
	1.75	Nut (Thin)	60006-S	.01	5/32 x 3/16
33820-S7	.03	7/16-20		.10-C	Rivet Flat Head
	2.00-C	Castle Nut	60037-S	.01	3/16 x 7/16
33825-S7	.03	5/16-18 Hex Nut		.15-C	Rivet Flat Head
	2.00-C		60328-S	.01	1/8 x 3/8 Rivet
33859-S	.10	5/8-18		.35-C	Round Head
	1.50-XX	Castle Nut	60329-S	.01	5/32 x 3/8 Rivet
33860-S7	.19	5/8 x 18		.10-C	Round Head
	1.40-XX	Castle Nut	60386-S	.01	1/4 x 11/16 Rivet
33879-S7	.01	5/16 x 24 Hex Nut		.35-C	Round Head Solid
	.90-C		60414-S	.01	1/4 x 13/16 Rivet
33921-S7	.01	1/4-28 Check Nut		.30-C	Round Head Solid
	.60-C		60432-S	.01	3/8 x 13/16 Rivet
33923-S7	.01	5/16-24 Check Nut		.55-C	Round Head Solid
	.65-C		60442-S	.01	1/4 x 7/8 Rivet
34029-S7	.02	5/16 x 24 Hex Nut		.30-C	Round Head Solid
	1.50-C		60453-S	.01	3/16 x 15/16 Rivet
34052-S7	.01	No. 8-32 Hex Nut		.20-C	Round Head Solid
	.20-C		60518-S	.01	1/4 x 1-1/4 Rivet
34079-S7	.01	No. 10-32 Hex Nut		.35-C	Round Head Solid
	.30-C		60530-S	.01	1/2 x 2 Rivet
34141-S7	.01	No. 10-32		.45-C	Round Head Solid
	.20-C	Square Nut	60894-S	.01	3/16-5/16 Rivet
34171-S7	.05	5/16-24 Blind Nut		.10-C	Round Head Solid
	4.00-C		61009-S	.01	3/8 x 7/8
34703-S7	.01	No. 10 Washer Flat		.90-C	Rivet Round Head
	.15-C		63345-S7	.01	3/16 x 7/16
34706-S7	.01	5/16 Washer Flat		.60-C	Rivet Round Head
	.25-C		63825-S	.01	1/8 x 3/8 Rivet
34745-S7	.01	1/4 Washer Flat		.65-C	
	.20-C		63968-S10	.01	1/8 x 1/4 Rivet
34746-S7	.01	5/16 Washer Flat		.50-C	Brass Oval Head
	.20-C		72003-S	.50-M	1/16 x 1/2
				.10-C	Cotter Pin

STANDARD PARTS



Part No.	Price	Part Name	Part No.	Price	Part Name
72005-S	\$.35-M	1/8 x 1/2 Cotter Pin	88371-S	{ \$.02	5/16 24-18 x 1 1/4 Stud
72008-S	.50-M	1/16 x 5/8 Cotter Pin	88398-S	{ .04	7/16-20-14 Stud
72009-S	.50-M	3/32 x 5/8 Cotter Pin	88403-S	{ 3.00-C	5/16-14-20 Stud
72010-S	.75-M	1/8 x 5/8 Cotter Pin	88423-S	{ .04	7/16-20-14 x 1-7/8 Stud
72017-S	.75-M	1/8 x 3/4 Cotter Pin	88523-S	{ 3.10	7/16-20-14 x 3-1/8 Stud
72026-S	.75-M	1/8 x 7/8 Cotter Pin	92032-S19	{ .03	No. 4 x 3/16 Drive Screw
72035-S	.75-M	1/8 x 1 Cotter Pin	97013-S	{ 2.50-C	3/8 x 2-1/8 Clevis Adjustable
72036-S	1.50-M	5/32 x 1 Cotter Pin	350101-S7	{ .01	No. 10-32 x 1/2 Screw - Slotted
72054-S	1.50-M	5/32 x 1-1/4 Cotter Pin	350164-S7	{ .25-C	No. 10-32 x .69 Screw
72062-S	1.00-M	1/8 x 1-3/8 Cotter Pin	350400-S	{ .02	Bolt
72063-S7		5/32 x 1-3/8 Cotter Pin	350433-S	{ .80-C	5/16-18 x 1 Hex Screw
72080-S	1.50-M	Use 72062-S 1/8 x 1-5/8 Cotter Pin	350439-S	{ .01	Bolt
73902-S	{ .07	3/8 x 1 Clevis Pin	350472-S7	{ 1.40-C	5/16-24 x 5/8 Spec Carriage Bolt
73912-S7	{ 1.20-XX	3/8 x 1-1/16 Clevis Pin	350617-S7	{ .70-C	7/16 x 20 Bolt, Carriage, Spec
73918-S7	{ .04	5/16 x 1-1/16 Clevis Pin	350635-S7	{ .03	7/16-20 Hex Bolt (Spec)
73936-S7	{ 3.40-C	1/2 x 1-1/4 Clevis Pin	350645-S	{ 2.65-C	7/16-20 x .84 Hex Head Bolt
73956-S	{ .06	3/8 x 1-7/16 Clevis Pin	350719-S7	{ .10	3/8-18 Round Head Bolt
73984-S	{ 1.00-XX	1/4 x 1-11/16 Clevis Pin	350830-S7	{ 9.00-C	No. 8-32 Nut
74034-S7	{ .05	5/16 x 1-11/16 Clevis Pin	350835-S7	{ .07	.18 Speed Nut
74079-S7	{ 4.00-C	1/2 x 2-5/8 Clevis Pin	350860-S	{ 1.30-XX	Brass No. 10-32 Hex Nut
74106-S	{ .05	5/16 Expansion Plug	350923-S7	{ .15	Wing, Nut - (Spec)
74121-S	{ .70-C	1-1/4 Expansion Plug	351025-S7	{ .02	7/16 x 20 Hex Head Nut
74127-S	{ .01	1-3/4 Expansion Plug	351040-S7	{ 1.85-C	7/16 x 20 Hex Slotted Nut
74142-S	{ .75-C	1/2 x 1/8 Woodruff Key	351059-S7	{ .03	1/2 x 20 Hex Slotted Nut
74156-S	{ .01	1/4 x 1/8 Woodruff Key	351103-S22	{ 2.15-C	5/8 x 18 Acorn Nut
74175-S	{ .50	No. 6 Woodruff Key	351118-S7	{ .03	11/16 Spec Hex Nut
74186-S	{ .04	1/4 x 1-1/8 Woodruff Key	351119-S7	{ 4.00-C	13/16-28 Spec Hex Nut
88032-S7	{ 3.90-C	3/8-24-16 x 1-3/8 Stud	351129-S	{ .04	3/4 x 16 Castle Nut
88113-S	{ .03	7/16-20-14 x 2-3/8 Stud	351253-S7	{ 3.60-C	No. 10 Lock Washer
88146-S7	{ 2.30-C	5/16-24-18 x 2 Stud		{ .08	
	{ .04			{ 1.30-XX	
	{ 2.85-C			{ .01	
	{ .02			{ .15-C	
	{ 1.80-C				

STANDARD PARTS

Part No.	Price	Part Name	Part No.	Price	Part Name
351406-S	\$.01 .70-C	13/32 I.D. x 1-1/2 O.D. Spec Plain Washer	353064-S	\$.03 2.35-C	1/2 Pipe Plug
351428-S7	.01 .60-C	7/16-1/8 x 29/32	353075-S	.04 3.20-C	3/8 Ball (Steel)
351436-S7	.02	7/16 Spec	355000 S	.05 4.50-C	No. 4-36 x 1/4 Screw (Machine)
351505-S7	1.30 .02	Lock Washer 5/8 (5/32 x 1-1/4)	355027-S7	.01 .40-C	No. 6-32 x .28 Flat Head Screw
351544-S	1.75-C .02	Flat Washer .815-.820	355545-S	.02 1.40-C	3/8 x 16 x 1.25 Hex Bolt
351926-S	1.60-C .01	Spec Lock Washer 5/32 x 3/16 Rivet	355693-S7	.01 .40-C	7/16-14 x 1-3/8 Spec Hex Bolt
351963-S	.40-C .01	{Flat Head C'sunk} 3/16 x .94	355755-S	.05 4.50-C	No. 14-24 Screw
351978-S	.35-C .01	Rivet 7/16 Washer - Flat	356181-S	.07	No. 4 Lock Washer
352150-S	.55-C .04	7/16 x 1-1/2 Rivet - Round Head	356390-S	.45	.34 I.D. .56 O.D. Washer
352581-S7	3.45-C .01	5/16 x 1-1/2 Spec Pin	356392-S	.02	Stop Washer
352592-S	.60-C .04	3/8 x 1-1/4 Clevis Pin	356430-S	.02 1.25-C	Washer
352625-S7	3.35-C .20	.750 x 2.9 Clevis Pin	356490-S		Spacer
353027A2-S7	2.80-XX .12	1/8 Fitting Lubrication	356491 S		Washer (Thrust)
353043-A1-S7	.03	Lubrication Fitting	356803-S7		1/2-20 Hex Nut
353043-A2-S7	.03 2.15-C	1/4-28 Lubrication Fitting	357408-S		Pin
			357409-S		Pin
			358043-S7	.12	1/8 Pipe Plug
			358081-S	.20	5/8 Ball

SYMBOLS

<p>§ For service on all tractors.</p> <p>9N-4012 and 9N-4013 used on tractors No. 1 to No. 1591.</p> <p><u>EXCEPT</u></p> <table style="width: 100%; border-collapse: collapse;"> <tr> <td>1528</td><td>1537</td><td>1546</td><td>1551</td><td>1556</td><td>1564</td><td>1567</td> </tr> <tr> <td>1529</td><td>1544</td><td>1549</td><td>1554</td><td>1561</td><td>1566</td><td>1570</td> </tr> <tr> <td>1531</td><td></td><td></td><td></td><td></td><td></td><td></td> </tr> </table> <p>1604 equipped with cast iron housings.</p> <p>9N-4012 A and 9N-4013-A used on tractors after No. 1591 to No. 6019.</p> <p><u>EXCEPT</u> 1604, 3813, 5408.</p> <p>Also used on</p> <table style="width: 100%; border-collapse: collapse;"> <tr> <td>6138</td><td>6338</td><td>6382</td><td>6457</td><td>6525</td><td>6572</td><td>6617</td> </tr> <tr> <td>6202</td><td>6339</td><td>6386</td><td>6483</td><td>6547</td><td>6574</td><td>6632</td> </tr> <tr> <td>6251</td><td>6346</td><td>6400</td><td>6515</td><td>6548</td><td>6590</td><td>6642</td> </tr> <tr> <td>6260</td><td>6347</td><td>6447</td><td>6522</td><td>6561</td><td>6610</td><td>6646</td> </tr> <tr> <td>6335</td><td>6367</td><td>6454</td><td></td><td></td><td></td><td></td> </tr> </table> <p>9N-4012-B and 9N-4013-B used on all tractors after No. 6018.</p> <p><u>EXCEPT</u></p> <table style="width: 100%; border-collapse: collapse;"> <tr> <td>6138</td><td>6338</td><td>6382</td><td>6457</td><td>6525</td><td>6572</td><td>6617</td> </tr> <tr> <td>6202</td><td>6339</td><td>6386</td><td>6483</td><td>6547</td><td>6574</td><td>6632</td> </tr> <tr> <td>6251</td><td>6346</td><td>6400</td><td>6515</td><td>6548</td><td>6590</td><td>6642</td> </tr> <tr> <td>6260</td><td>6347</td><td>6447</td><td>6522</td><td>6561</td><td>6610</td><td>6646</td> </tr> <tr> <td>6335</td><td>6367</td><td></td><td></td><td></td><td></td><td></td> </tr> </table> <p style="text-align: center;"><u>NOTE</u></p> <p>When servicing 4012, 4013, 4012-A and 4013-A <u>ORDER</u></p> <table style="width: 100%; border-collapse: collapse;"> <tr> <td style="width: 50%;">9N-4012-B Housing</td> <td>9N-523-B Gasket</td> </tr> <tr> <td>9N-4013-B Housing</td> <td>9N-562-B Plate</td> </tr> </table>	1528	1537	1546	1551	1556	1564	1567	1529	1544	1549	1554	1561	1566	1570	1531							6138	6338	6382	6457	6525	6572	6617	6202	6339	6386	6483	6547	6574	6632	6251	6346	6400	6515	6548	6590	6642	6260	6347	6447	6522	6561	6610	6646	6335	6367	6454					6138	6338	6382	6457	6525	6572	6617	6202	6339	6386	6483	6547	6574	6632	6251	6346	6400	6515	6548	6590	6642	6260	6347	6447	6522	6561	6610	6646	6335	6367						9N-4012-B Housing	9N-523-B Gasket	9N-4013-B Housing	9N-562-B Plate	<p>Also used on</p> <table style="width: 100%; border-collapse: collapse;"> <tr> <td>12501</td><td>12512</td><td>12532</td><td>12556</td><td>12611</td><td>12627</td> </tr> <tr> <td>12503</td><td>12518</td><td>12535</td><td>12559</td><td>12615</td><td>12633</td> </tr> <tr> <td>12504</td><td>12521</td><td>12537</td><td>12573</td><td>12617</td><td>12635</td> </tr> <tr> <td>12506</td><td>12525</td><td>12538</td><td>12574</td><td>12619</td><td>12638</td> </tr> <tr> <td>12508</td><td>12526</td><td>12542</td><td>12603</td><td>to</td><td>12644</td> </tr> <tr> <td>12509</td><td>12527</td><td>12546</td><td>12610</td><td>12624</td><td>12853</td> </tr> <tr> <td>12511</td><td>12530</td><td>12549</td><td></td><td>12626</td><td></td> </tr> </table> <hr/> <p># Used on all tractors from No. 12499 to No. 15002.</p> <p>Also on tractor numbers</p> <table style="width: 100%; border-collapse: collapse;"> <tr> <td>15198</td><td>15698</td><td>15751</td><td>15815</td><td>15851</td><td>16083</td> </tr> <tr> <td>15202</td><td>15699</td><td>15755</td><td>15822</td><td>to</td><td>16155</td> </tr> <tr> <td>15207</td><td>15710</td><td>to</td><td>15824</td><td>15859</td><td>16157</td> </tr> <tr> <td>15280</td><td>15714</td><td>15758</td><td>15826</td><td>15861</td><td>16159</td> </tr> <tr> <td>15290</td><td>to</td><td>15761</td><td>15827</td><td>15862</td><td>16165</td> </tr> <tr> <td>15292</td><td>15717</td><td>15763</td><td>15829</td><td>15864</td><td>16169</td> </tr> <tr> <td>15306</td><td>15723</td><td>15779</td><td>15831</td><td>15865</td><td>16179</td> </tr> <tr> <td>15307</td><td>15724</td><td>15780</td><td>15831</td><td>15867</td><td>16187</td> </tr> <tr> <td>15319</td><td>15728</td><td>15785</td><td>15841</td><td>to</td><td>16332</td> </tr> <tr> <td>15397</td><td>15729</td><td>15801</td><td>15842</td><td>15869</td><td>16332</td> </tr> <tr> <td>to</td><td>15736</td><td>15802</td><td>15844</td><td>15871</td><td>16873</td> </tr> <tr> <td>15462</td><td>to</td><td>15804</td><td>to</td><td>15879</td><td>to</td> </tr> <tr> <td>15464</td><td>15739</td><td>15804</td><td>15846</td><td>15885</td><td>16879</td> </tr> <tr> <td>to</td><td>15746</td><td>15807</td><td>15848</td><td>15885</td><td>16881</td> </tr> <tr> <td>15622</td><td>to</td><td>15809</td><td>15849</td><td>16017</td><td>16881</td> </tr> <tr> <td>15626</td><td>15748</td><td>15810</td><td></td><td>16019</td><td>16950</td> </tr> <tr> <td></td><td></td><td></td><td></td><td>to</td><td>16950</td> </tr> </table> <hr/> <p>⊗ Used on all tractors after No. 15001.</p> <p><u>EXCEPT</u></p> <table style="width: 100%; border-collapse: collapse;"> <tr> <td>15198</td><td>15698</td><td>15755</td><td>15815</td><td>15851</td><td>16083</td> </tr> <tr> <td>15202</td><td>15699</td><td>to</td><td>15822</td><td>to</td><td>16155</td> </tr> <tr> <td>15207</td><td>15710</td><td>15758</td><td>15824</td><td>15859</td><td>16157</td> </tr> <tr> <td>15280</td><td>15714</td><td>15761</td><td>15826</td><td>15861</td><td>16159</td> </tr> <tr> <td>15290</td><td>to</td><td>15763</td><td>15827</td><td>15862</td><td>16165</td> </tr> <tr> <td>15292</td><td>15717</td><td>15779</td><td>15829</td><td>15864</td><td>16169</td> </tr> <tr> <td>15306</td><td>15723</td><td>15780</td><td>15831</td><td>15865</td><td>16179</td> </tr> <tr> <td>15307</td><td>15724</td><td>15785</td><td>15841</td><td>15867</td><td>16187</td> </tr> <tr> <td>15319</td><td>15728</td><td>15801</td><td>15842</td><td>to</td><td>16332</td> </tr> <tr> <td>15397</td><td>15729</td><td>15802</td><td>15844</td><td>15869</td><td>16332</td> </tr> <tr> <td>to</td><td>15736</td><td>15804</td><td>15844</td><td>15871</td><td>16873</td> </tr> <tr> <td>15462</td><td>to</td><td>15807</td><td>to</td><td>15879</td><td>to</td> </tr> <tr> <td>15464</td><td>15739</td><td>15807</td><td>15846</td><td>15885</td><td>16879</td> </tr> <tr> <td>to</td><td>15746</td><td>15809</td><td>15848</td><td>15885</td><td>16881</td> </tr> <tr> <td>15622</td><td>to</td><td>15810</td><td>15849</td><td>16017</td><td>16881</td> </tr> <tr> <td>15626</td><td>15748</td><td></td><td></td><td>16019</td><td>16950</td> </tr> <tr> <td></td><td>15751</td><td></td><td></td><td>to</td><td>16950</td> </tr> </table>	12501	12512	12532	12556	12611	12627	12503	12518	12535	12559	12615	12633	12504	12521	12537	12573	12617	12635	12506	12525	12538	12574	12619	12638	12508	12526	12542	12603	to	12644	12509	12527	12546	12610	12624	12853	12511	12530	12549		12626		15198	15698	15751	15815	15851	16083	15202	15699	15755	15822	to	16155	15207	15710	to	15824	15859	16157	15280	15714	15758	15826	15861	16159	15290	to	15761	15827	15862	16165	15292	15717	15763	15829	15864	16169	15306	15723	15779	15831	15865	16179	15307	15724	15780	15831	15867	16187	15319	15728	15785	15841	to	16332	15397	15729	15801	15842	15869	16332	to	15736	15802	15844	15871	16873	15462	to	15804	to	15879	to	15464	15739	15804	15846	15885	16879	to	15746	15807	15848	15885	16881	15622	to	15809	15849	16017	16881	15626	15748	15810		16019	16950					to	16950	15198	15698	15755	15815	15851	16083	15202	15699	to	15822	to	16155	15207	15710	15758	15824	15859	16157	15280	15714	15761	15826	15861	16159	15290	to	15763	15827	15862	16165	15292	15717	15779	15829	15864	16169	15306	15723	15780	15831	15865	16179	15307	15724	15785	15841	15867	16187	15319	15728	15801	15842	to	16332	15397	15729	15802	15844	15869	16332	to	15736	15804	15844	15871	16873	15462	to	15807	to	15879	to	15464	15739	15807	15846	15885	16879	to	15746	15809	15848	15885	16881	15622	to	15810	15849	16017	16881	15626	15748			16019	16950		15751			to	16950
1528	1537	1546	1551	1556	1564	1567																																																																																																																																																																																																																																																																																																																																																
1529	1544	1549	1554	1561	1566	1570																																																																																																																																																																																																																																																																																																																																																
1531																																																																																																																																																																																																																																																																																																																																																						
6138	6338	6382	6457	6525	6572	6617																																																																																																																																																																																																																																																																																																																																																
6202	6339	6386	6483	6547	6574	6632																																																																																																																																																																																																																																																																																																																																																
6251	6346	6400	6515	6548	6590	6642																																																																																																																																																																																																																																																																																																																																																
6260	6347	6447	6522	6561	6610	6646																																																																																																																																																																																																																																																																																																																																																
6335	6367	6454																																																																																																																																																																																																																																																																																																																																																				
6138	6338	6382	6457	6525	6572	6617																																																																																																																																																																																																																																																																																																																																																
6202	6339	6386	6483	6547	6574	6632																																																																																																																																																																																																																																																																																																																																																
6251	6346	6400	6515	6548	6590	6642																																																																																																																																																																																																																																																																																																																																																
6260	6347	6447	6522	6561	6610	6646																																																																																																																																																																																																																																																																																																																																																
6335	6367																																																																																																																																																																																																																																																																																																																																																					
9N-4012-B Housing	9N-523-B Gasket																																																																																																																																																																																																																																																																																																																																																					
9N-4013-B Housing	9N-562-B Plate																																																																																																																																																																																																																																																																																																																																																					
12501	12512	12532	12556	12611	12627																																																																																																																																																																																																																																																																																																																																																	
12503	12518	12535	12559	12615	12633																																																																																																																																																																																																																																																																																																																																																	
12504	12521	12537	12573	12617	12635																																																																																																																																																																																																																																																																																																																																																	
12506	12525	12538	12574	12619	12638																																																																																																																																																																																																																																																																																																																																																	
12508	12526	12542	12603	to	12644																																																																																																																																																																																																																																																																																																																																																	
12509	12527	12546	12610	12624	12853																																																																																																																																																																																																																																																																																																																																																	
12511	12530	12549		12626																																																																																																																																																																																																																																																																																																																																																		
15198	15698	15751	15815	15851	16083																																																																																																																																																																																																																																																																																																																																																	
15202	15699	15755	15822	to	16155																																																																																																																																																																																																																																																																																																																																																	
15207	15710	to	15824	15859	16157																																																																																																																																																																																																																																																																																																																																																	
15280	15714	15758	15826	15861	16159																																																																																																																																																																																																																																																																																																																																																	
15290	to	15761	15827	15862	16165																																																																																																																																																																																																																																																																																																																																																	
15292	15717	15763	15829	15864	16169																																																																																																																																																																																																																																																																																																																																																	
15306	15723	15779	15831	15865	16179																																																																																																																																																																																																																																																																																																																																																	
15307	15724	15780	15831	15867	16187																																																																																																																																																																																																																																																																																																																																																	
15319	15728	15785	15841	to	16332																																																																																																																																																																																																																																																																																																																																																	
15397	15729	15801	15842	15869	16332																																																																																																																																																																																																																																																																																																																																																	
to	15736	15802	15844	15871	16873																																																																																																																																																																																																																																																																																																																																																	
15462	to	15804	to	15879	to																																																																																																																																																																																																																																																																																																																																																	
15464	15739	15804	15846	15885	16879																																																																																																																																																																																																																																																																																																																																																	
to	15746	15807	15848	15885	16881																																																																																																																																																																																																																																																																																																																																																	
15622	to	15809	15849	16017	16881																																																																																																																																																																																																																																																																																																																																																	
15626	15748	15810		16019	16950																																																																																																																																																																																																																																																																																																																																																	
				to	16950																																																																																																																																																																																																																																																																																																																																																	
15198	15698	15755	15815	15851	16083																																																																																																																																																																																																																																																																																																																																																	
15202	15699	to	15822	to	16155																																																																																																																																																																																																																																																																																																																																																	
15207	15710	15758	15824	15859	16157																																																																																																																																																																																																																																																																																																																																																	
15280	15714	15761	15826	15861	16159																																																																																																																																																																																																																																																																																																																																																	
15290	to	15763	15827	15862	16165																																																																																																																																																																																																																																																																																																																																																	
15292	15717	15779	15829	15864	16169																																																																																																																																																																																																																																																																																																																																																	
15306	15723	15780	15831	15865	16179																																																																																																																																																																																																																																																																																																																																																	
15307	15724	15785	15841	15867	16187																																																																																																																																																																																																																																																																																																																																																	
15319	15728	15801	15842	to	16332																																																																																																																																																																																																																																																																																																																																																	
15397	15729	15802	15844	15869	16332																																																																																																																																																																																																																																																																																																																																																	
to	15736	15804	15844	15871	16873																																																																																																																																																																																																																																																																																																																																																	
15462	to	15807	to	15879	to																																																																																																																																																																																																																																																																																																																																																	
15464	15739	15807	15846	15885	16879																																																																																																																																																																																																																																																																																																																																																	
to	15746	15809	15848	15885	16881																																																																																																																																																																																																																																																																																																																																																	
15622	to	15810	15849	16017	16881																																																																																																																																																																																																																																																																																																																																																	
15626	15748			16019	16950																																																																																																																																																																																																																																																																																																																																																	
	15751			to	16950																																																																																																																																																																																																																																																																																																																																																	
<p>⌋ 9N-523-A Gasket } Used on all housings except 9N-562-A Plate } 4012-B and 4013-B</p>	<p>⌋ 9N-523-B Gasket } Used with 4012-B and 4013-B Housings. 9N-562-B Plate }</p>																																																																																																																																																																																																																																																																																																																																																					
<p>• Used on all tractors.</p> <p><u>NOTE:</u> On tractors No. 1 to 2499 and those listed herein</p> <table style="width: 100%; border-collapse: collapse;"> <tr> <td>2532</td><td>2566</td><td>2614</td><td>2643</td><td>2725</td><td>2780</td><td>2795</td> </tr> <tr> <td>2535</td><td>2576</td><td>2630</td><td>2652</td><td>2754</td><td>2784</td><td>2800</td> </tr> <tr> <td>2543</td><td>2589</td><td>2635</td><td>2654</td><td>2765</td><td>2785</td><td>3059</td> </tr> <tr> <td>2548</td><td>2591</td><td>2636</td><td>2664</td><td>2777</td><td>2794</td><td>3150</td> </tr> <tr> <td>2557</td><td>2596</td><td></td><td></td><td></td><td></td><td></td> </tr> </table> <p>order the following:</p> <ol style="list-style-type: none"> 1- 9N-9002-A Gas Tank 1- 9N-9126 Adapter, tank to tank support 2- 20386-S2 Bolt 2- 350379-S7 Carriage Bolt 2- 33797-S2 Nut 2- 33798-S7 Nut 4- 34806-S Lock Washer 4- 34706-S Flat Washer 	2532	2566	2614	2643	2725	2780	2795	2535	2576	2630	2652	2754	2784	2800	2543	2589	2635	2654	2765	2785	3059	2548	2591	2636	2664	2777	2794	3150	2557	2596						<p>* Used on all tractors after No. 5677 <u>EXCEPT</u> those listed below.</p> <p>To service air cleaners on tractors before No. 5678 and numbers listed herein, order 9N-9600-C also 9N-18215-C, Pipe.</p> <p>The oil cup and clamp are interchangeable with 9N-9658-C1, oil cup, and 9N-9628-C1, clamp assembly.</p> <p>Tractors to No. 5678 and numbers</p> <table style="width: 100%; border-collapse: collapse;"> <tr> <td>5711</td><td>6226</td><td>6396</td><td>6507</td><td>6555</td><td>7304</td><td>7429</td> </tr> <tr> <td>6162</td><td>6240</td><td>6407</td><td>to</td><td>to</td><td>7311</td><td>7430</td> </tr> <tr> <td>6163</td><td>6249</td><td>6440</td><td>6520</td><td>6565</td><td>7313</td><td>7434</td> </tr> <tr> <td>6166</td><td>6257</td><td>6446</td><td>6523</td><td>6818</td><td>7390</td><td>7438</td> </tr> <tr> <td>6188</td><td>6261</td><td>6455</td><td>6525</td><td>6991</td><td>7392</td><td>7439</td> </tr> <tr> <td>6193</td><td>6268</td><td>6458</td><td>6530</td><td>7154</td><td>7412</td><td>7440</td> </tr> <tr> <td>6202</td><td>6271</td><td>6482</td><td>6531</td><td>7182</td><td>7415</td><td>7459</td> </tr> <tr> <td>6204</td><td>6275</td><td>6487</td><td>6533</td><td>7259</td><td>7418</td><td>7460</td> </tr> <tr> <td>6207</td><td>6337</td><td>6490</td><td>6537</td><td>7277</td><td>7419</td><td>7468</td> </tr> <tr> <td>6211</td><td>6338</td><td>6491</td><td>6539</td><td>7290</td><td>7423</td><td>7471</td> </tr> <tr> <td>6221</td><td>6339</td><td>6500</td><td>6541</td><td>7291</td><td>7425</td><td>7524</td> </tr> <tr> <td>to</td><td>6381</td><td></td><td>to</td><td>7293</td><td>7426</td><td>7571</td> </tr> <tr> <td>6224</td><td>6386</td><td></td><td>6552</td><td>7301</td><td></td><td></td> </tr> </table>	5711	6226	6396	6507	6555	7304	7429	6162	6240	6407	to	to	7311	7430	6163	6249	6440	6520	6565	7313	7434	6166	6257	6446	6523	6818	7390	7438	6188	6261	6455	6525	6991	7392	7439	6193	6268	6458	6530	7154	7412	7440	6202	6271	6482	6531	7182	7415	7459	6204	6275	6487	6533	7259	7418	7460	6207	6337	6490	6537	7277	7419	7468	6211	6338	6491	6539	7290	7423	7471	6221	6339	6500	6541	7291	7425	7524	to	6381		to	7293	7426	7571	6224	6386		6552	7301																																																																																																																																																																																																																									
2532	2566	2614	2643	2725	2780	2795																																																																																																																																																																																																																																																																																																																																																
2535	2576	2630	2652	2754	2784	2800																																																																																																																																																																																																																																																																																																																																																
2543	2589	2635	2654	2765	2785	3059																																																																																																																																																																																																																																																																																																																																																
2548	2591	2636	2664	2777	2794	3150																																																																																																																																																																																																																																																																																																																																																
2557	2596																																																																																																																																																																																																																																																																																																																																																					
5711	6226	6396	6507	6555	7304	7429																																																																																																																																																																																																																																																																																																																																																
6162	6240	6407	to	to	7311	7430																																																																																																																																																																																																																																																																																																																																																
6163	6249	6440	6520	6565	7313	7434																																																																																																																																																																																																																																																																																																																																																
6166	6257	6446	6523	6818	7390	7438																																																																																																																																																																																																																																																																																																																																																
6188	6261	6455	6525	6991	7392	7439																																																																																																																																																																																																																																																																																																																																																
6193	6268	6458	6530	7154	7412	7440																																																																																																																																																																																																																																																																																																																																																
6202	6271	6482	6531	7182	7415	7459																																																																																																																																																																																																																																																																																																																																																
6204	6275	6487	6533	7259	7418	7460																																																																																																																																																																																																																																																																																																																																																
6207	6337	6490	6537	7277	7419	7468																																																																																																																																																																																																																																																																																																																																																
6211	6338	6491	6539	7290	7423	7471																																																																																																																																																																																																																																																																																																																																																
6221	6339	6500	6541	7291	7425	7524																																																																																																																																																																																																																																																																																																																																																
to	6381		to	7293	7426	7571																																																																																																																																																																																																																																																																																																																																																
6224	6386		6552	7301																																																																																																																																																																																																																																																																																																																																																		
<p>⊘ Used on first 4000 tractors.</p>	<p>⊘ Used after first 4000 tractors to No. 12500.</p> <p><u>EXCEPT</u></p> <table style="width: 100%; border-collapse: collapse;"> <tr> <td>10732</td><td>11470</td><td>12157</td><td>12400</td><td>12490</td><td>12497</td> </tr> <tr> <td>11148</td><td>11497</td><td>12168</td><td>12484</td><td>12492</td><td>12499</td> </tr> <tr> <td>11400</td><td>12142</td><td></td><td></td><td></td><td></td> </tr> </table>	10732	11470	12157	12400	12490	12497	11148	11497	12168	12484	12492	12499	11400	12142																																																																																																																																																																																																																																																																																																																																							
10732	11470	12157	12400	12490	12497																																																																																																																																																																																																																																																																																																																																																	
11148	11497	12168	12484	12492	12499																																																																																																																																																																																																																																																																																																																																																	
11400	12142																																																																																																																																																																																																																																																																																																																																																					

SYMBOLS

■ Used on all tractors to No. 12500.

EXCEPT					
10732	11470	12457	12400	12490	12497
11148	11497	12468	12484	12492	12499
11400	12142				

Also used on tractors

12501	12512	12532	12556	12611	12627
12503	12518	12535	12559	12615	12633
12504	12521	12537	12573	12617	12635
12506	12525	12538	12574	12619	12638
12508	12526	12542	12603	to	12644
12509	12527	12546	12610	12624	12853
12511	12530	12549		12626	

▲ Used on all tractors after No. 12499.

EXCEPT					
12501	12512	12532	12556	12611	12627
12503	12518	12535	12559	12615	12633
12504	12521	12537	12573	12617	12635
12506	12525	12538	12574	12619	12638
12508	12526	12542	12603	to	12644
12509	12527	12546	12610	12624	12853
12511	12530	12549		12626	

Also used on tractors

10732	11470	12157	12400	12490	12497
11148	11497	12168	12484	12492	12499
11400	12142				

* Used on all tractors thru tractor No. 13883 EXCEPT casting hoods and the following tractor numbers.

10213	12585	12699	12807	13088	13186	13364	13512	13701
10732	to	12701	12809	13089	13188	to	13519	to
11148	12587	12703	to	13090	13190	13372	13520	13708
11400	12590	to	12811	13092	13191	13373	to	13710
11470	to	12707	12815	13094	13193	13375	13522	13711
11490	12593	12708	to	13096	to	to	13527	13713
12142	12595	12711	12817	13098	13218	to	13531	to
12157	12598	12712	12819	13099	13220	13388	13534	13715
12168	to	12714	12820	13102	to	to	13535	13717
12360	12602	to	12824	13107	13224	13391	13546	13718
12392	to	12716	to	13109	to	13393	13548	13720
12484	12605	12718	12828	13111	13226	to	to	13722
12492	12608	to	12831	to	13229	13397	13550	13724
12497	12609	12722	to	13113	13233	13399	13554	13741
12499	12613	12724	12833	to	to	13400	13555	13743
12500	12614	to	12839	13115	13249	to	13560	to
12502	12616	12728	to	13117	13251	13403	to	13753
12505	12618	12730	12843	13119	to	13405	13566	13755
12510	12625	12731	to	13121	13260	13406	13569	to
12517	12628	12733	12848	13122	13262	13410	13570	13761
12519	12630	12735	13119	to	13273	13412	13574	13764
12520	to	12737	12852	13126	13275	13414	to	13766
12522	12632	to	12854	13129	to	13416	13578	13768
12523	to	12739	12923	13131	13296	13417	13580	13769
12528	12634	to	12945	13133	13298	13419	to	13770
12531	to	12743	12948	to	13299	13420	13596	to
12534	12636	to	12967	13134	13300	to	13598	13772
12536	to	12744	12970	13136	13301	13423	13600	13774
12539	12637	12757	to	13138	13303	13425	13602	13776
12540	12639	12759	12972	13140	to	to	13620	13777
12544	to	12761	to	to	13310	13430	13622	to
12545	12643	12763	12979	13142	to	13432	to	13779
12552	12645	to	12985	13144	13312	to	13624	13781
12553	to	12765	13004	13146	to	13463	to	13785
12554	12653	to	13038	13147	13318	13465	13626	13787
12555	12656	to	13045	13149	13322	13466	13629	13789
12557	12658	12769	13047	to	13323	13469	13631	13791
12560	to	12771	13048	13152	13325	13470	to	13793
12562	12665	12773	13050	13154	to	13472	13639	13796
12563	12667	to	13053	13156	13332	to	13641	to
12565	to	12779	13054	13157	13334	13477	13643	13803
12572	12668	to	13061	13159	to	13482	to	13805
12575	12671	12781	13062	13161	13338	13483	13669	13806
12576	12673	12784	13063	13170	13340	13487	13671	13809
12579	to	12786	13064	13172	13342	to	to	13826
12581	12675	to	13066	13174	13347	13489	13686	13828
12584	12677	12789	13069	13176	13349	13494	13691	to
	to	to	13071	13177	to	13495	13693	13837
	12680	12793	13072	13179	13356	13506	to	13839
	12682	12795	13077	13181	13358	13508	13697	to
	12686	12796	13084	13184	13359	13509		13883
	12687	12798	to		13362			
	12688	12799	13087					
	12692	12799						
	12693	12800						
	12695	12802						
	12698	to						
		12804						

⊗ Used on all tractors beginning with No. 13884 and on the tractor numbers appearing above.

WARRANTY

The Ford Motor Company warrants all such parts of new Ford tractors, **EXCEPT TIRES**, for a period of ninety (90) days from the date of original delivery to the purchaser of each new Ford tractor, as shall, under normal use and service, appear to it to have been defective in workmanship or material. This warranty shall be limited to shipment to the purchaser without charge, except for transportation, of the part or parts intended to replace those acknowledged by the Ford Motor Company to be defective. The Ford Motor Company cannot, however, and does not accept any responsibility in connection with any of its tractors when they have been altered outside of its own factories or branch plants. If the purchaser shall use or allow to be used in the tractor, parts not made or supplied by the Ford Motor Company, then this warranty shall become void. The Ford Motor Company does not undertake responsibility to any purchaser of its products for any undertaking, representation or warranty made by anyone selling its products beyond those herein expressed.

The Ford Motor Company reserves the right to make changes in design and changes or improvements upon its product without imposing any obligation upon itself to install the same upon its products theretofore manufactured.

TIRE WARRANTY

Every tractor tire manufactured by the Ford Motor Company, bearing its name and serial number and used in farm service and agriculture, is warranted by it to be free from defects in workmanship and material without limit as to time or mileage and to give satisfactory service under normal operating conditions. If the Ford Motor Company's examination shows that any tire has failed under the terms of this warranty, it will at its option either repair the tire or make an allowance on the purchase of a new tire.

FORD MOTOR COMPANY



© Ford Motor Co.

***"-Have it in the bin,
when the Farmer comes in."***